

Single Axis Robot RSH2 - Straight



See notes on CE Marking. P456

Components: Actuator, Controller, Cable, (Battery), (Noise Filter)
Accessory

Controller I/O Specifications		
Accessory	NPN, PNP	CC-Link, DeviceNet
	Instruction Manual (CD-ROM), Power Connector, EXT Connector, Dummy Connector	
	CC-Link Connector, DeviceNet Connector	

Robot Material / Surface Treatment

Components	Base Frame	Guide Rail	Slider	Side Cover
Material	Aluminum	Steel	Aluminum	Aluminum
Surface Treatment	Anodize	-	Anodize	Anodize

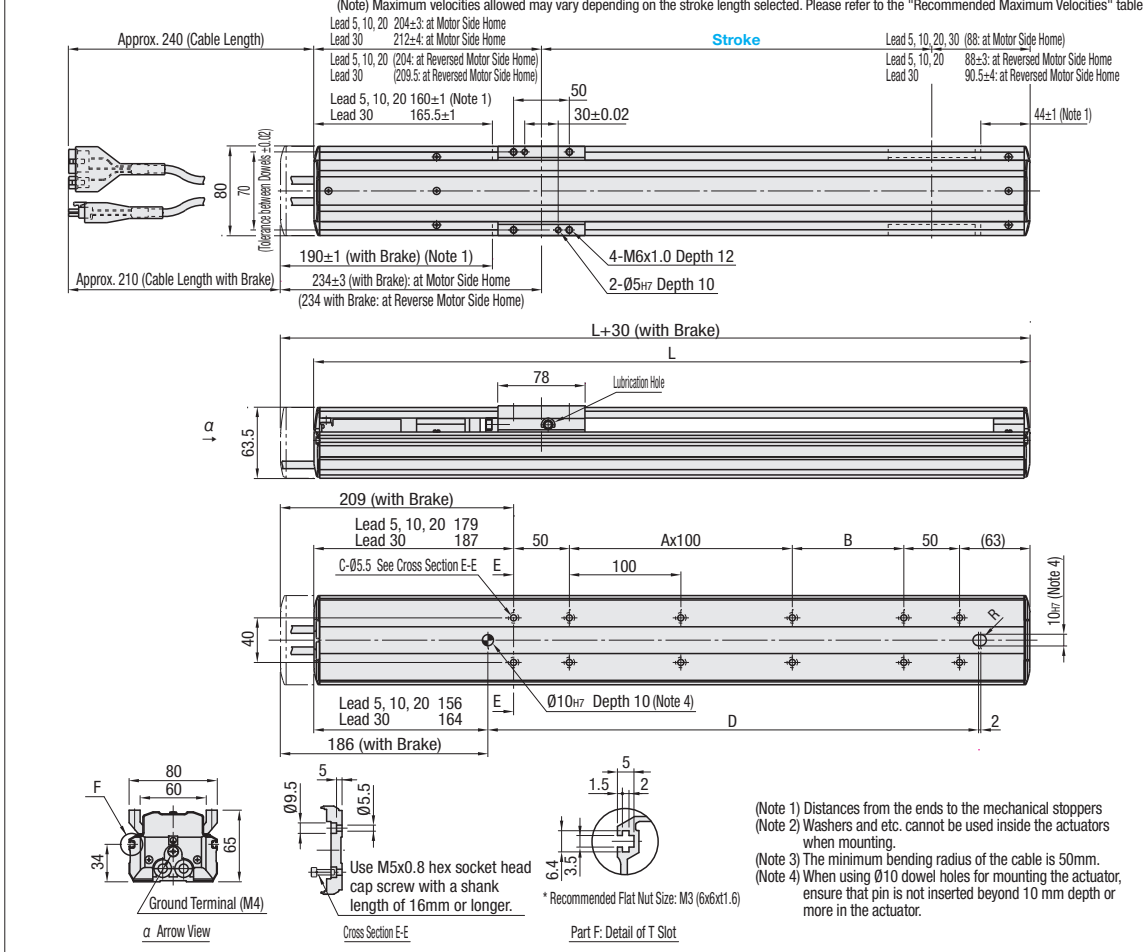
General Specifications

Ball Screw	Motor	Position Detector	Operating Ambient Temperature, Humidity
Ø15 (C7 Rolled)	AC Servo 100W	Resolver	0~40°C, 35~85%RH (No Condensation)

Controller Specifications P497-506 Cycle Time Graph P455 Clean Room Specifications are available on our website.

Standard Specifications FAQ P504

Type	Lead (mm)	Positioning Repeatability (mm)	Max Load Capacity (kg)	Rated Force (N)	Max. Velocity (Note) (mm/sec)	Stroke (mm)	Rated Running Life	Input Power Supply	Maximum Positioning Point	
RSH2	05	±0.01	50	16	339	150~1050 (50 Pitch)	10,000 km or More	Single-phase AC 100~115V 200~230V ±10%	255 points	
	10		40	8	169					600~240
	20		20	4	84					1200~480
	30		7	-	56					1800~720



Dimensions / Mass

Type	Dimensions / Mass	Stroke (mm)																		
RSH2	L (Lead 5, 10, 20)	442	492	542	592	642	692	742	792	842	892	942	992	1042	1092	1142	1192	1242	1292	1342
	L (Lead 30)	450	500	550	600	650	700	750	800	850	900	950	1000	1050	1100	1150	1200	1250	1300	1350
	A(mm)	0	0	1	1	2	2	3	3	4	4	5	5	6	6	7	7	8	8	9
	B(mm)	100	150	100	150	100	150	100	150	100	150	100	150	100	150	100	150	100	150	100
	C(mm)	8	8	10	10	12	12	14	14	16	16	18	18	20	20	22	22	24	24	26
	D(mm)	240	290	340	390	440	490	540	590	640	690	740	790	840	890	940	990	1040	1090	1140
	Mass (kg)	3.9	4.2	4.5	4.8	5.1	5.4	5.7	6.1	6.4	6.7	7.0	7.3	7.6	7.9	8.2	8.5	8.8	9.2	9.5

The brake adds 0.3 kg to the mass.

Part Number		Selection					
Type	Lead (mm)	With or w/o Brake (1)	Controller (2)	I/O Module	W/ or w/o Noise Filter (3)	Cable	Stroke (mm)
RSH2	05	None: Leave blank Included: B	None: Leave blank Included: B	None: Leave blank Included: B	None: Leave blank Included: B	None: Leave blank Included: B	150~1050 (50mm Increment)
	10						
	20						
	30						

(1) Choose the "Brake" option for use in vertical applications. (W/ brake type is not available for Lead 30)
 (2) Controllers are shipped with preset parameters for each type. Data storage batteries are outside the scope of RoHS Directive.
 (3) A noise filter is required for this product. When the customer is purchasing the noise filter separately, please select "none". Be sure to install a surge absorber on the primary side of a noise filter. For details, please see the Instruction Manual.

Ordering Example Part Number - Controller - I/O Module - W/ or w/o Noise Filter - Cable - Stroke

RSH205B - C22A - N - F1 - 3 - 400

Note
 Power interruption circuit is not provided in this controller in order to provide maximum flexibility for customer specific safety scheme. Please be sure to provide an external power interruption circuit and form an emergency stop circuit. For Circuit examples, see P503.

Robot Body Price

Part Number	Unit Price 1 ~ 2 pc(s)										
	Stroke (mm)										
RSH2	150/200	250/300	350/400	450/500	550/600	650/700	750/800	850/900	950/1000	1050	
RSH2											

Controller Price

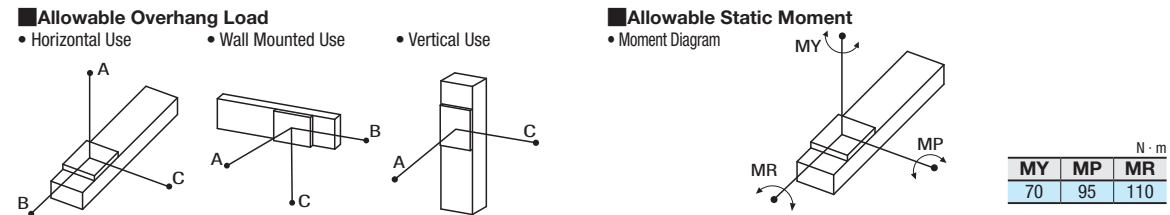
I/O Type	Unit Price	
	/C22A /C22B (w/ Data Storage Battery)	/C22B Incremental Type
N		
P		
C		
D		

Cable Price

Cable (Standard)	Unit Price	Cable (Flexible)	Unit Price
3		R3	
5		R5	
10		R10	

Noise Filter Price

W/ or w/o Noise Filter	Unit Price
None: F0	
Included: F1	



Max. Velocity (mm/sec) Please confirm the details of the Max. Speeds based on various strokes with web-Cycle Time Simulator.

Type	Lead (mm)	Stroke (mm)									
		150-650	700	750	800	850	900	950	1000	1050	
RSH2	05	300	255	225	195	180	165	150	135	120	
	10	600	510	450	390	360	330	300	270	240	
	20	1020~1200	1020	900	780	720	660	600	540	480	
	30	774~1800	1530	1350	1170	1080	990	900	810	720	

When the stroke is 700mm or more, the resonance of ball screws may occur according to the operating area (critical speed). In that case, reduce the operation speed by referring to the Max. Velocity shown in the table above.

When the overhang equals 0, use externally mounted linear guides to support the load mass.

Alterations: Part Number - Controller Type - I/O Type - Noise Filter Presence - Cable - Stroke - (G, E...etc.)

RSH205B - C22A - N - F1 - 3 - 400 - G-E

Price Example: The prices are for the part numbers on the left.
 (Robot Body Price) + (Controller Price) + (Noise Filter Price) + (Cable Price) + (Grease Type Alteration Charge) + (Home Position Alteration Charge) = Total Price

Alterations	Grease Type Alteration	Change of Home Position	Handset Terminal Standard Specification	Handset Terminal w/ Deadman's Switch	Support Software w/ USB Communication Cable	Support Software w/ D-Sub Communication Cable	I/O Cable	Cable for daisy-chain connection	Instruction Manual
Code	G	E	H	D	S	R	T	C	MJ5/KJ3
Spec.	Grease is changed to low particle generation grease. (NSK LG2)	The home position is relocated to the opposite side of the motor.	Handset Terminal Standard Terminal is included. Specifications: P503, 507	Handset Terminal w/ Deadman's Switch is included. Specifications: P503, 507	Support Software w/ USB Communication Cable is included. Specifications: P503, 507	Support Software w/ D-Sub Communication Cable is included. Specifications: P507	I/O Cable is included. Required for NPN/PNP configurations. Specifications: P507	A cable to connect multiple controllers. It can connect maximum 16 controllers. Specifications: P507	Operation Manual is included. For Actuator MJ5: For Controller KJ3.

For optional items, see P 507. It is more economical to order the optional items as alterations than purchasing them individually.
 Entering point data requires the handy terminal or the support software. An I/O Cable is required for Parallel Communication I/O Control.