

Bearing Cover Plates

Standard / With Seal

Bearing Cover Plates

Standard



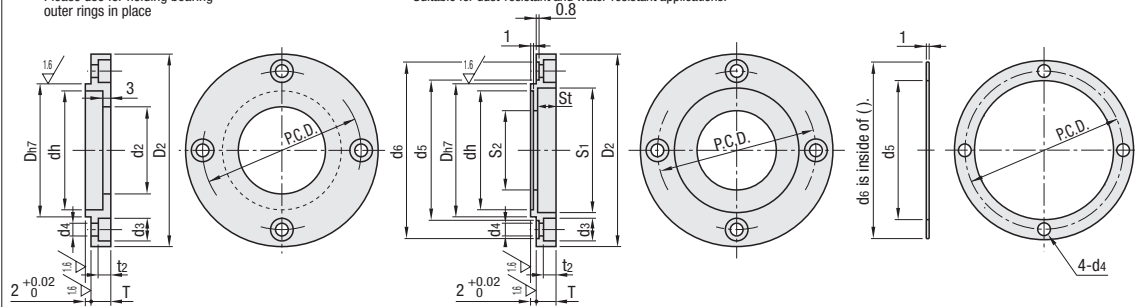
Type		Material	Surface Treatment	Accessory		
Standard	With Seal			Oil Seal Type G / Type D	Gasket	Mounting Screw
BVFCC	BVFPC	EN 1.1191 Equiv.	Black Oxide	Nitrile Rubber	EN 1.7220 Equiv. (Black Oxide)	
BVFCCM	BVFPCM					Electroless Nickel Plating
BVFCCS	BVFPCS					EN 1.4301 Equiv.

Oil seal and gasket are not included with Standard Type.

Standard
Please use for holding bearing outer rings in place

With Seal
Suitable for dust-resistant and water-resistant applications.

Included Gasket



Included Oil Seal is not installed at the time of shipment. Install before use.

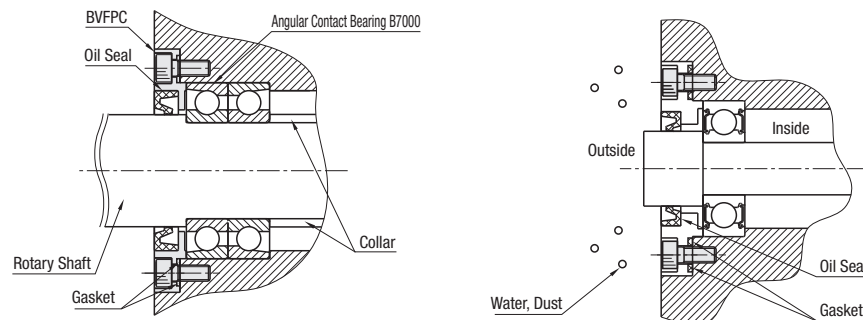
Part Number		Applicable Bearing	Dh7	Tolerance	With Seal												Mounting Screw (Accessory)				
Type	No.				D2	dh	T	P.C.D.	d2	d3	d4	t2	S1	S2	S3	Applicable Oil Seal Inner Dia.		Included Oil Seal	Gasket Groove Gasket		
					Gasket		Gasket		Gasket		Gasket		Gasket		Gasket			Gasket		Gasket	
(Standard) BVFCC BVFCCM BVFCCS	10	6000 7000	26	0 -0.021	41	23	6	33	16					25	17	4	15	G15254	26	38.5 (38)	M3x8
	12	6001 7001	28	0 -0.021	43	25	6	35	6.5	3.5	3.1							G15254	28	40.5 (40)	
	15	6002 7002	32	0 -0.025	48	28	6	40	21					32	22	5	20	G20325	34	45.5 (45)	
(With Seal) BVFPC BVFPCM BVFPCS	17	6003 7003	35	0 -0.025	48	31								35	27	6	25	D25356	42	54.5 (54)	M4x10
	20	6004 7004	42	0 -0.025	58	36	7	48	26	8	4.5	4.1		40	32	7	30	D30407	47	59.5 (59)	
	25	6005 7005	47	0 -0.030	63	41								50	42	6.5	40	D40506.5	55	74.5 (74)	
	30	6006 7006	55	0 -0.030	78	48															

d5 dimensions are I.D. and d6 in () dimensions are O.D. of included gasket.

Ordering Example
Part Number
BVFCC10
BVFPC20

No.	Unit Price					
	Standard			With Seal		
	BVFCC	BVFCCM	BVFCCS	BVFPC	BVFPCM	BVFPCS
10						
12						
15						
17						
20						
25						
30						

Example

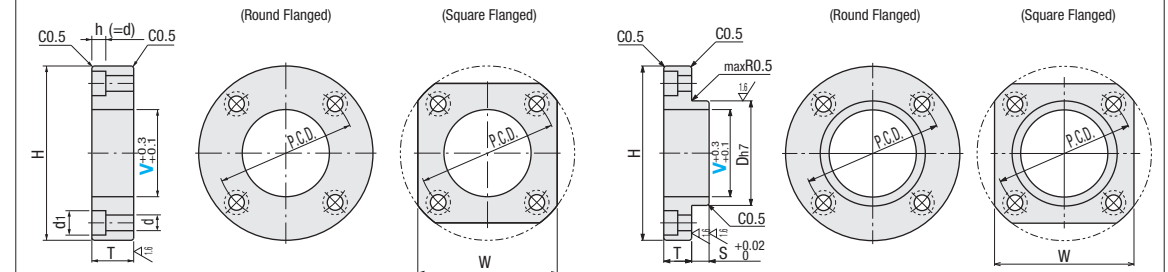


Flat		Pilot		Material	Surface Treatment
Round Flanged	Square Flanged	Round Flanged	Square Flanged		
-	BVFS	-	BVIS	EN 1.1191 Equiv.	-
BVFCM	BVFSM	BVICM	BVISM	EN 1.1191 Equiv.	Electroless Nickel Plating
-	-	BVICA	BVISA	EN AW-5052 Equiv.	Clear Anodize
BVFC	-	-	-	EN 1.4301 Equiv.	-

6.3 (1.6)

Flat

Pilot



Part Number	Type	V	Applicable Bearing	Applicable Screw	H	P.C.D.	W	T	d	d1	D	S	Unit Price									
													Flat				Pilot					
													Round Flanged	Square Flanged	Round Flanged	Square Flanged	Round Flanged	Square Flanged	Round Flanged	Square Flanged		
Flat (Round Flanged) BVFCCM BVFCS	4	673	M3	26	16	21	5	3.5	6.5	6	1.5	BVFCCM	BVFCS	BVFS	BVFSM	BVICM	BVICA	BVIS	BVISM	BVISA		
	5	674										7										
	6	693										8										
	8	623, 694										10										
	Square Flanged BVFCS BVFSCM	10	624, 695	M4	35	24	28	6	4.5	8.0	13	2.0	BVFSCM	BVFCS	BVFS	BVFSM	BVICM	BVICA	BVIS	BVISM	BVISA	
		11	605, 696										14									
		12	625										16									
		13	606										17									
		15	626, 698										19									
		18	608, 6900										22									
		20	628, 6901										24									
		21	6000										26									
	Pilot (Round Flanged) BVICM BVICA	23	6001, 6902	M5	51	38	41	7	5.5	9.5	28	2.0	BVICM	BVICA	BVIS	BVISM	BVISA					
		25	6200, 6903										30									
		26	6201, 6002										32									
		30	6202, 6003										35									
32		6904, 6203	37																			
35		6004, 6905	42																			
40		6204, 6005, 6906	47																			
46		6205	52																			
47		6006, 6907	55																			
56		6206, 6007, 6908	62																			
Square Flanged BVIS BVISM BVISA	64	6008, 6207, 6208	M6	89	75	68	8	6.5	11.0	68	2.0	BVIS	BVISM	BVISA								
	107	93										81										

Ordering Example
Part Number
BVFS10

Alterations
Part Number - (FC, MXC, NC)
BVFCM10 - FC3-NC

Alterations	Blind Hole	Number of Mounting Holes	Mounting Hole Type
Code	FC	MXC	NC
Spec.	Changes V hole to blind hole. FC=1mm Increment 3 ≤ FC ≤ T-1 Ordering Code FC4	The number of mounting holes is changed from 4 to 6. Available for Round Flange Type only. Ordering Code MXC	Changes mounting holes to through holes. Hole Dia. = d (Specification Table) Ordering Code NC