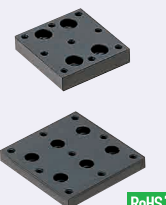


# Adjustable Plates for XY-Axis Stages

# [High Precision] X-Axis Cross Roller / Linear Guide Long Stroke

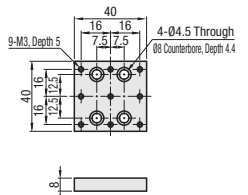
■Features: Offers a square mounting surface by attaching on top of a rectangular stage.

■Adjustable Plate

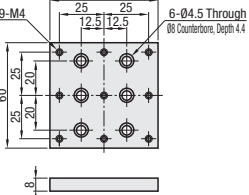


RoHS 10

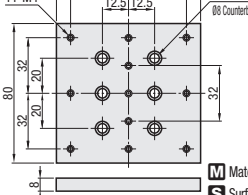
**XPLT40**



**XPLT60**



**XPLT80**



M Material: Aluminum Alloy  
S Surface Treatment: Black Anodize


⚠Please see Plate/Stage Compatibility Chart on P.1916 for compatible stages.

Part Number	Unit Price	Ordering Example
Type	No. 1 - 10 pcs.	Part Number
XPLT	40	XPLT40
	60	
	80	

⚠For orders larger than indicated quantity, please request a quotation.

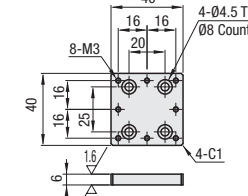
■Features: XY mounting plates that can be used for combinations of rapid feed stage (bottom) and fine feed stage (top). Convenient when feeding the X in rapid, Y in fine modes.

■Adjustable Plates for XY-Axis Stages

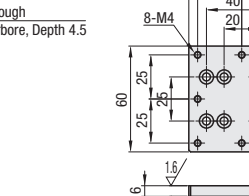


RoHS 10

**XPLTE40**



**XPLTE60**



M Material: Aluminum Alloy  
S Surface Treatment: Black Anodize


⚠Please see Plate/Stage Compatibility Chart on P.1916 for compatible stages.

Part Number	Unit Price	Ordering Example
Type	No. 1 - 10 pcs.	Part Number
XPLTE	40	XPLTE40
	60	

⚠For orders larger than indicated quantity, please request a quotation.

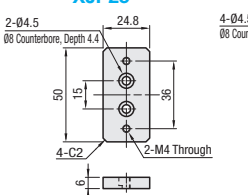
■Features: Joint plates for combining two stages. Reversed knob types and different feed systems can be combined.

■XY-Axis Joint Plates

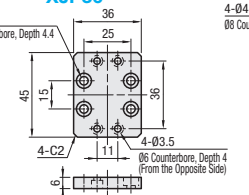


RoHS 10

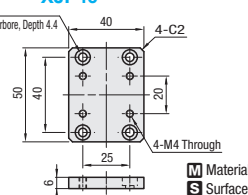
**XJP25**



**XJP36**



**XJP40**



M Material: Aluminum Alloy  
S Surface Treatment: Black Anodize

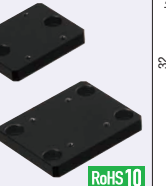
⚠Please see Plate/Stage Compatibility Chart on P.1916 for compatible stages.

Part Number	Accessory	Unit Price	Ordering Example
Type	No. Type M-L	1 - 10 pcs.	Part Number
XJP	25 SCB4-6 (4 pcs.)		XJP25
	36 SCB4-6 (4 pcs.) SCB3-6 (4 pcs.)		
	40 SCB4-6 (8 pcs.)		

⚠For orders larger than indicated quantity, please request a quotation.

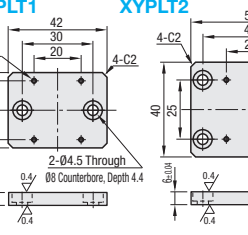
■Features: Plates for assembling Long Stroke Stages. Utilize in 2-axis configurations.

■Adjustable Plates for XY-Axis Stages

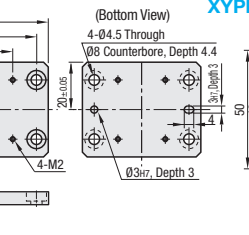


RoHS 10

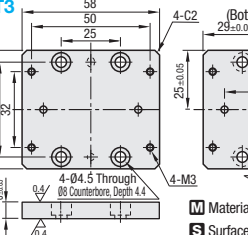
**XYPLT1**



**XYPLT2**



**XYPLT3**



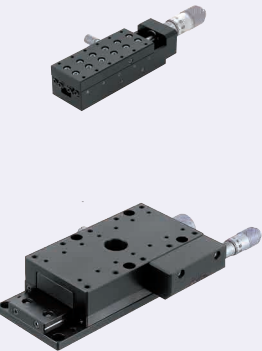
M Material: Aluminum Alloy  
S Surface Treatment: Black Anodize

Part Number	Applicable Stage	Unit Price	Volume Discount Rate	Ordering Example
Type	No. Stage (Bottom) Stage (Top)	1 - 2 pcs.	3 - 10 pcs.	Part Number
XYPLT	1 XLWG, XLSL XLWG, XLSL			XYPLT1
	2 XLONG(P.1909) XLWG, XLSL			
	3 XLONG(P.1909) XLONG(P.1909)			

⚠For orders larger than indicated quantity, please request a quotation.

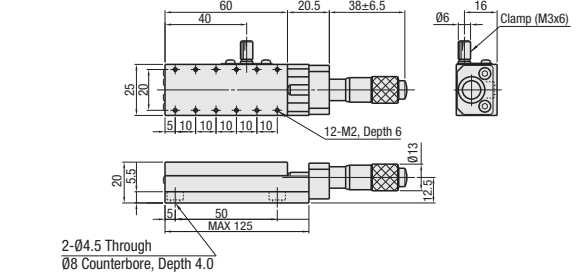
■Features: High precision long stroke stages with Cross Roller Guides. The XLP60 has two knobs enabling Coarse Feed (3mm/rev.) and Fine Feed (0.5mm/rev.).

■X-Axis, Long Stroke

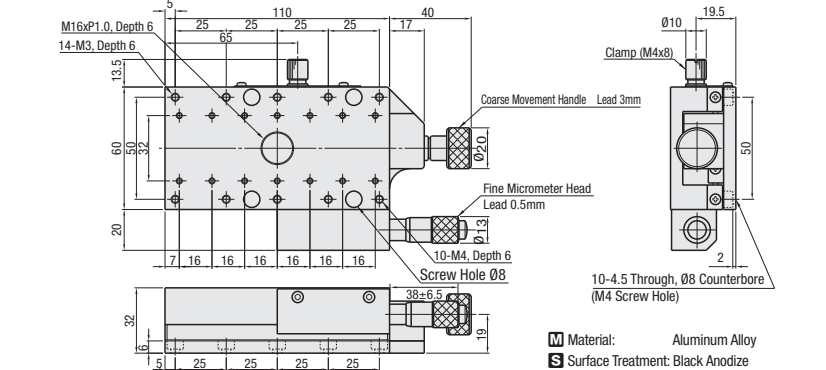


RoHS 10

**XLPG25**



**XLPG60**



M Material: Aluminum Alloy  
S Surface Treatment: Black Anodize  
A Accessory: SBCB4-6 XLPG25 (2 pcs.) XLPG60 (10 pcs.)

Part Number	Stage Surface (mm)	Travel Distance (mm)	Load Capacity (N)	Travel Accuracy				Moment Load Capacity (N·m)			Moment Rigidity (N/cm)			Parallelism	Weight (kg)	Unit Price
				Horizontal	Straightness	Parallelism	Pitching	Yawing	Pitching	Yawing	Rolling	Pitching	Yawing			
XLPG	25	25x60	±6.5mm	19.6	3μm	10μm	25"	15"	3.8	3.2	1.5	0.19	0.19	1.38	30μm	0.1
	60	60x110	* Coarse Feed ±20mm Fine Feed ±6.5 mm	78.4					8.1	7.0	5.3	0.02	0.03	0.07		

⚠Resolution (Micrometer Head): 10μm/division. \* XLP60 max. stroke is 52mm.

⚠Knob Cover HDCVR13 (Sold Separately): Ø13 micrometer knob can be increased in diameter by installing the cover. P.2004

⚠For orders larger than indicated quantity, please request a quotation.

Ordering Example	Part Number
XLPG25	XLPG25

Alterations	Part Number
R	XLPG25 - R

Alteration: Clamp Position Change (Right/Left Reversed)

Spec.	Code
	R

⚠See the CAD data for details.

## Plate/Stage Compatibility Chart

Part Number	Top Face Size (mm)	Applicable Stage
Type	No.	
XPLT	40	XWG40(P.1904), XYG40(P.1939), ZWG40(P.1954), XLWG(P.1908), ZLWG(P.1956), XLSL(P.1901), ZLSL(P.1959), XSSL(P.1901), XSSL(P.1902), XSP(P.1904), REG40, 60(P.1981)
	60	XWG60, 90, 140(P.1904), XYG60, 90, 140(P.1939), ZWG60, 90, 140(P.1954), XSL(P.1900), XSLC(P.1900), XSB(P.1906), REG60(P.1981)
	80	

Compatible Stages	Top	XSSL	XSSLC	XSL	XSLC	XSB	XSP
Bottom		XJP36	-	XJP40	-	XJP25	-
XSSL, XSSLC		XJP36	-	XJP40	-	XJP25	-
XSL, XSLC(P.1900), XSB(P.1906)		XJP36	-	XJP40	-	XJP25	-
XSP(P.1904)		XJP36	-	XJP25	-		
XWG40(P.1904)		XJP36	-	XJP25	-		
XWG60,90(P.1904)		XJP40	-		-		

(Compatible) Lower Stage	Applicable Stage	Applicable Plate	
Type	No. (Compatible) Upper Stage Part Number	Part Number	
XWG	60	XFG40-M(P.1911), XEG40(P.1897), XEEG40(P.1897)	XPLTE40
	90	XSG40(P.1921-), XCRS40(P.1917)	
	140	XPG40(P.1918-), XFES40(P.1896), XLBS40(P.1920)	
XSL*1	4060*2	XEEG60(P.1897), XEEG60(P.1897)	XPLTE60
	4090*2	XSG60(P.1921-), XCRS60(P.1917), XPG60(P.1918-), XFES60(P.1896), XLBS60(P.1920)	

⚠No.140 is not available for \*1 marked types.  
⚠Types with \*2 are available for XFHT only.