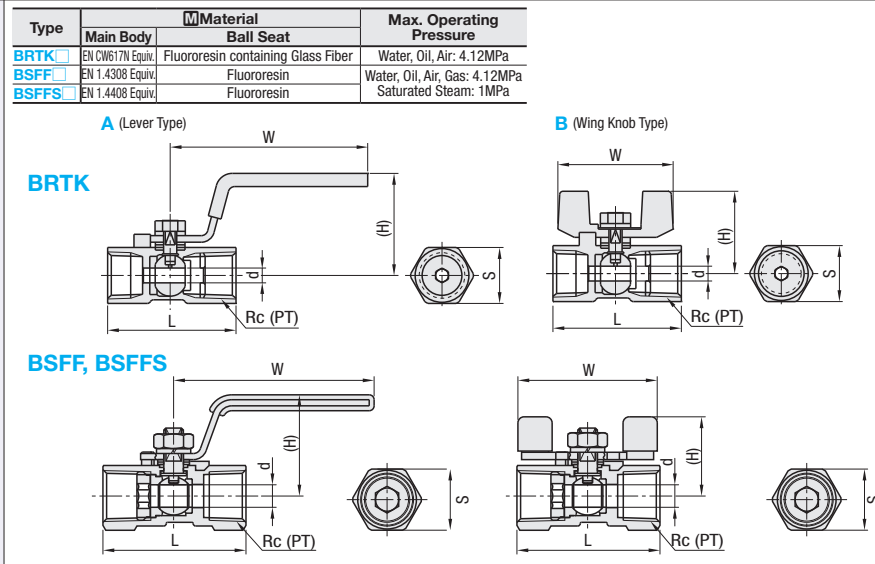


# Ball Valves

Points of comparison between similar products ① JIS, JV Standard Compliant

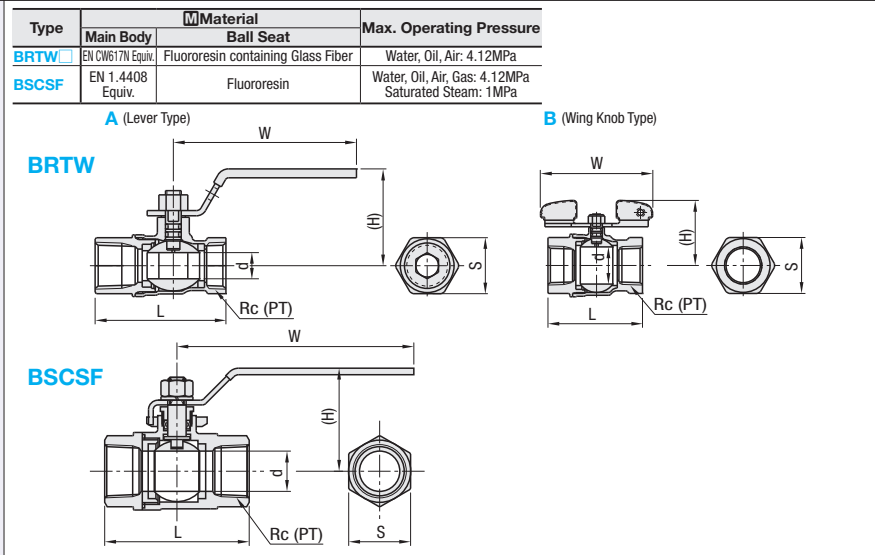
## Reduced Bore Type



Part Number	Rc (PT)	d	S	Shape A			Shape B			BRTK		BSFF		BSFFS			
				L	(H)	W	L	(H)	W	Unit Price	Volume Discount Rate	Unit Price	Volume Discount Rate	Unit Price	Volume Discount Rate		
BRTK BSFF BSFFS	A (Lever Type) B (Wing Knob Type)	8A	1/4	4.5 (5)	17	39	31 (35)	60 (65)	39	25 (27)	35 (51)	1 ~ 4 pc(s).	5 ~ 10 pcs.	1 ~ 4 pc(s).	5 ~ 10 pcs.	1 ~ 4 pc(s).	5 ~ 10 pcs.
		10A	3/8	6.8 (7)	21	44	36 (39)	70 (68)	44	29	40 (55)						
		15A	1/2	9.2	25	56.5 (59)	41 (42)	85 (82)	56.5 (59)	35 (33)	55 (57)						
		20A	3/4	12.5	32	59 (60)	44 (45)	85 (82)	59 (60)	39 (38)	55 (57)						
		25A	1	16 (15)	38	71 (72)	48 (51)	100	71 (-)	40.8 (-)	69 (-)						

Ⓜ Dimensions in ( ) are for BSFF and BSFFS. Ⓜ For BSFF and BSFFS, Handle Shape B / No.25A product is not sold.

## Full Bore (High Flow Rate) Type



Part Number	Rc (PT)	d	S	Shape A			Shape B			Unit Price	Volume Discount Rate		
				L	(H)	W	L	(H)	W				
BRTW	A (Lever Type) B (Wing Knob Type)	8A	1/4	10	20	50	37	70	50	35	55	1 ~ 4 pc(s).	5 ~ 10 pcs.
		10A	3/8	10	22	50	37	70	50	35	55		
		15A	1/2	15	26	65	40	80	65	41	70		
		20A	3/4	20	32	68	44	80	68	45	70		
		25A	1	25	39	79	50	110	79	54	100		
BSCSF	-	15A	1/2	15	27	68	59	102	-	-	-		
		20A	3/4	20	33	77	62	120	-	-	-		
		25A	1	25	40	90	76	150	-	-	-		
		40A	1 1/2	38	56	111	88	165	-	-	-		
		50A	2	50	70	126	95	165	-	-	-		

Ordering Example  
 Part Number  
 BRTKA10A  
 BRTWB15A