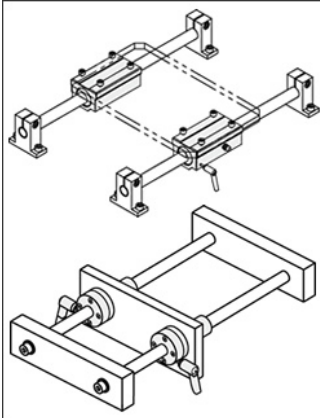


Linear bushings



Linear bushings are reliable and cost-efficient bearings based on the roller bearing principle. Hereby, the balls move along an internal track on the load side, and then return via a return track resulting in an overall “oval” circuit that permits linear guidance functions whose maximum travel distance is only limited by the shaft length.



In combination with surface-hardened linear shafts (tolerance zone g6) and corresponding shaft supports, flexible and easily scalable functional linear units with long service life and low risk of failure over a wide range are possible.

To prevent corrosive attack, suitable coatings or the use of stainless martensitic materials are recommended.

Matching to individual load conditions is done by means of shaft diameter, bushing length or number of bushings. Compared with standard bushing versions, service life can be increased by a factor of 2,5 by the use of MX versions with lubricant reservoirs (test results at 50 % nominal load).

If space is at a premium, compact versions can be used, whose outer diameter has been reduced e.g. from 12 mm to 10 mm (with a shaft diameter of 6 mm).

- Mounting via the outer circumference (standard bushing)
- Mounting via the front end (linear bushings with cylindrical housing unit)
- Mounting via a flat surface (linear bushings with rectangular housing unit)

Alternatively, housing versions with an additional shaft clamp are available. This ensures secure positioning of linear movements, without damaging the shaft surface and without the need for additional constructional adaptations.

Product properties:

- Linear Bushings with Lubrication Unit MX Features: Built-in lubrication unit constantly supplies proper amounts of lubricant as needed, prolonging system life and long time maintenance-free operation.
- Pillow Block Type Features: A linear bushing is housed in an aluminum body. Contributes to parts count and manufacturing step reductions.
- Linear Bushings with Clamp Lever Features: Ability to clamp at desired adjusted position enables reduction of machine parts count and part manufacturing work loads.
- Linear Ball Bushings Features: Rolling ball bearings enable both linear and rotary motions.

Linear bushings

Linear bushings for mounting via outer circumference



- Short type

<http://www.misumi-europe.com/en/e-catalog/vona2/result?Keyword=lmut>



- Standard type

<http://www.misumi-europe.com/en/e-catalog/vona2/result?Keyword=lmu>



- Medium type

<http://www.misumi-europe.com/en/e-catalog/vona2/result?Keyword=lmut>



- Compact type, short

<http://www.misumi-europe.com/en/e-catalog/vona2/result?Keyword=lmk>



- Compact type, long

<http://www.misumi-europe.com/en/e-catalog/vona2/result?Keyword=lmuw>

Linear bushings



- Standard type

<http://www.misumi-europe.com/en/e-catalog/vona2/result/?Keyword=lmu-mx>



- Long type

<http://www.misumi-europe.com/en/e-catalog/vona2/result/?Keyword=lmuw-mx>

Linear bushings with Cylindrical Housing Units, mounting via the front end



- Flanged Linear Bushings with Clamp Levers, front end mounting

<http://www.misumi-europe.com/en/e-catalog/vona2/result/?Keyword=lhrc>



- Flanged Linear Bushings with Clamp Levers, front end mounting

<http://www.misumi-europe.com/en/e-catalog/vona2/result/?Keyword=lhrcw>



- Flanged Linear Bushings Pilot with Center Flange, front end mounting

<http://www.misumi-europe.com/en/e-catalog/vona2/result/?Keyword=lhfrd>

Linear bushings



- Flanged Linear Bushings Pilot with Center Flange, front end mounting

<http://www.misumi-europe.com/en/e-catalog/vona2/result/?Keyword=lhird>



- Flanged Linear Bushings – Center Flange, front end mounting

<http://www.misumi-europe.com/en/e-catalog/vona2/result/?Keyword=lhmrw>



- Flanged Linear Bushings – Center Flange, front end mounting

<http://www.misumi-europe.com/en/e-catalog/vona2/result/?Keyword=lhmrkw>

Linear Bushing with Clamp Levers – Pillow Block Style, mounting via a flat surface



- Pillow Block Style Linear Bushing with Clamp Levers, large – Mounting from above

<http://www.misumi-europe.com/en/e-catalog/vona2/result/?Keyword=lhbhc>



- Pillow Block Style Linear Bushing with Clamp Levers, large – Mounting from above

<http://www.misumi-europe.com/en/e-catalog/vona2/result/?Keyword=lhbhc>

Linear bushings



- Pillow Block Style Linear Bushing with Clamp Levers, narrow – mounting from above or from the side

<http://www.misumi-europe.com/en/e-catalog/vona2/result?Keyword=lhssc>



- Pillow Block Style Linear Bushing with Clamp Levers, narrow – mounting from above or from the side

<http://www.misumi-europe.com/en/e-catalog/vona2/result?Keyword=lhsswc>



- Linear Bushings with Pillow Blocks, narrow and conical - mounting from above or from the side

<http://www.misumi-europe.com/en/e-catalog/vona2/result?Keyword=lhss>



- Linear Bushings with Pillow Blocks, narrow and conical - mounting from above or from the side

<http://www.misumi-europe.com/en/e-catalog/vona2/result?Keyword=lhssw>



- Shaft-sliding Linear Bushings with Pillow Blocks, large and conical – mounting from above

<http://www.misumi-europe.com/en/e-catalog/vona2/result?Keyword=lhgs>

BESTSELLER

Linear bushings



- Shaft-sliding Linear Bushings with Pillow Blocks, large and conical – mounting from above

<http://www.misumi-europe.com/en/e-catalog/vona2/result/?Keyword=lhgw>