



Aluminum Hinges / Aluminum Hinges for Different Extrusion Sizes

CAD Data



Aluminum Hinges with Tabs / Aluminum Hinges with Slotted Holes

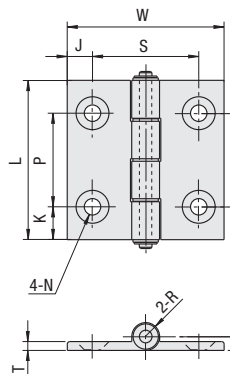
CAD Data

Aluminum Hinges with Tabs
Aluminum Hinges for Different Extrusion Sizes

RoHS



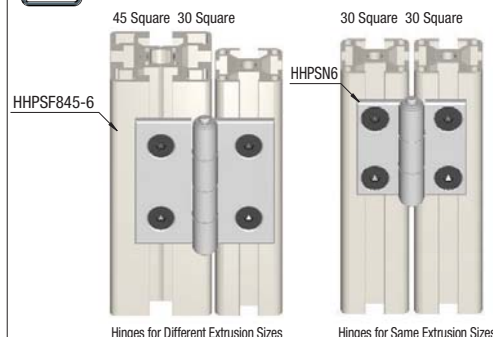
HHPSN (Clear Anodize)
HHPBSN (Black Anodize)
HHPSF (For Different Extrusion Sizes: Clear Anodize)



Materials: EN AW-6063/AlMg0,7Si-T5 Bushing: Polyacetal
Surface Treatment: Anodize



Example



Hinges for Different Extrusion Sizes Hinges for Same Extrusion Sizes

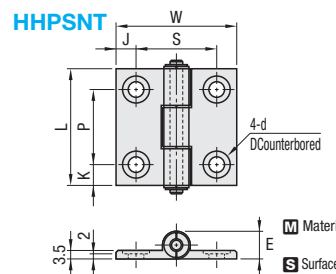
-Hinges for Different Extrusion Sizes
HHPSF 6-5: Attaches HFS5-20mm to HFS6-30mm.
HHPBSF8-6: Attaches HFS6-30mm to HFS8-40mm.
HHPSF845-5: Attaches HFS5-30mm to HFS8-45mm.
HHPSF 8-5: Attaches HFS5-20mm to HFS8-40mm.
HHPSF 845-6: Attaches HFS6-30mm to HFS8-45mm.
When the Hinges are mounted to the panels, etc., use the recommended Hinge Nuts on P.725

Part Number	*Allowable Load		Mass g	L	W	K	P	J	S	N		T	E	R	Screws · Nuts			Clear Anodize		Black Anodize		
	No.	kg								N	Through				Counter-sunk	Screws	Quantity	Nuts	Quantity	Qty. 1-8	9-	Qty. 1-8
HHPSN HHPBSN (Black Anodize)	5		22	47	36	11	25	7.5	21	5.5	11	3.5	5	5	Flathead Screw 5-8	2	HNTT5-5	2				
	6	10	98	33	48	8.5	30	8	32	6.5	13	5.5	5.5	5.5	Flathead Screw 6-10	2	HNTT6-6	2				
	8		48	63	62	13	37	10	42	6.5	13				Flathead Screw 6-12	2	HNTT8-6	2				
	8-45	15	147	81	80	10	43	16.5	47			4.5			Flathead Screw 6-15	2	HNTT8-6	2				
HHPSF (For Different Extrusion Sizes)	6-5	10	98	33	47	44.75	8.5	30	10.75	26.5	5.5	11	3.5	5.5	Flathead Screw 5-8	2	HNTT5-5	2				
											6.5	13			Flathead Screw 6-10	2	HNTT6-6	2				
											5.5	11			Flathead Screw 5-8	2	HNTT5-5	2				
	8-5	10	98	48	63	54.25	13	37	15.25	31.5	6.5	13	3.5	5.5	Flathead Screw 6-10	2	HNTT6-6	2				
											5.5	11			Flathead Screw 5-8	2	HNTT5-5	2				
845-5	10	98	81	63	55.5	13	37	14	34	5.5	11	3.5	5.5	Flathead Screw 6-10	2	HNTT6-6	2					
										6.5	13			Flathead Screw 6-12	2	HNTT8-6	2					
8-6	15	147	48	63	62	13	37	12.5	37	6.5	13	3.5	5.5	Flathead Screw 6-10	2	HNTT6-6	2					
										6.5	13			Flathead Screw 6-12	2	HNTT8-6	2					
845-6	15	147	48	63	62	13	37	11.5	39	6.5	13	3.5	5.5	Flathead Screw 6-10	2	HNTT6-6	2					
										6.5	13			Flathead Screw 6-15	2	HNTT8-6	2					

*The allowable load is the value when 2 pieces are used.

Aluminum Hinges Extra Low Head Cap Screw Type

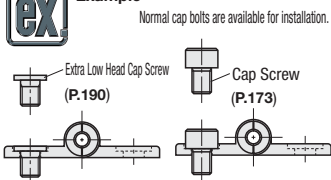
RoHS



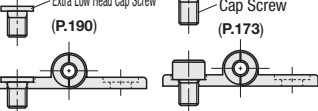
Material: EN AW-6063/AlMg0,7Si
Bushings: Polyacetal
Surface Treatment: Clear Anodize



Example



Normal cap bolts are available for installation.



When the Hinges are mounted to the panels, etc., use the recommended Hinge Nuts on P.725

Part Number	*Allowable Load		Mass g	L	W	K	P	J	S	d Through	D Counterbore	E	Screws · Nuts			€ Unit Price		Volume discount Rate	
	No.	kg											N	Screws	Quantity	Nuts	Quantity	Qty. 1-8	9-
HHPSNT	5		22	47	36	11	25	7.5	21	5.5	10	5	CBSA5-6	4	HNTT5-5	4			
	6	10	98	34	48	8.5	30	8	32	6.5	11	5.5	CBSA6-8	4	HNTT6-6	4			
	8		49	63	62	13	37	10	42				CBSA6-10	4	HNTT8-6	4			

*The allowable load is the value when 2 pieces are used.

Order Example Part Number HHPSN6

Alterations Part Number - (SET · SST) HHPBSN6 - SET

Days to Ship 6 Days P87

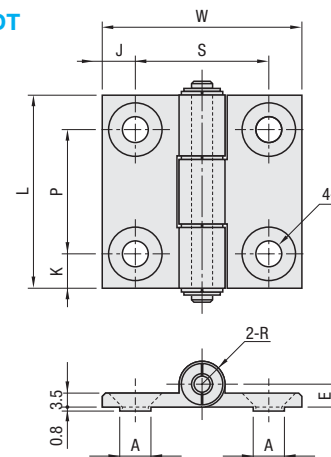
Alterations	Code	Spec.	Hinges	No.	Price Adder		
					SET	SST	
Applicable Screw Nut Set	SET SST (Stainless Steel)	Applicable screws and nuts come in a set. When SST is specified, stainless steel screw and nut are included. (- When SET is specified, the material of the Flathead Screws is 1.7220/34CrMo4 and their surface treatment is Black Oxide.)	HHPSN	5	1,80	2,35	
			HHPBSN	6	1,92	2,90	
				8	2,24	3,20	
				5	7,12	-	
			HHPSNT	6	7,76	-	
				8	7,96	-	
				6-5	845-5	2,08	2,60
				8-5	8-6		
				845-6			

Aluminum Hinges with Tabs

RoHS



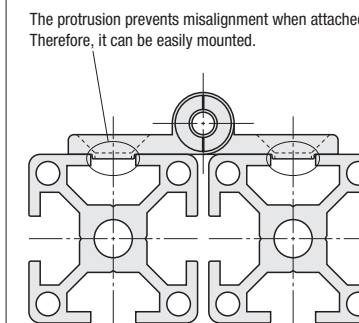
HHPSDT



Material: EN AW-6063/AlMg0,7Si Bushing: Polyacetal
Surface Treatment: Clear Anodize



Example



The protrusion prevents misalignment when attached. Therefore, it can be easily mounted.

When the Hinges are mounted to the panels, etc., use the recommended Hinge Nuts on P.725

Part Number	*Allowable Load		Mass g	L	W	K	P	J	S	N		E	A	R	Screws · Nuts			€ Unit Price		Volume Discount		
	Type	No.								kg	N				Through	Counter-sunk	Screws	Quantity	Nuts	Quantity	Qty. 1-8	9-
HHPSDT	5		23	47	36	11	25	7.5	21	5.5	11	5	5.5	5	Flathead Screw 5-8	4	HNTT5-5	4				
	6	10	98	35	48	8.5	30	8	32	6.5	13	5.5	7.5	5.5	Flathead Screw 6-10	4	HNTT6-6	4				
	8		51	63	62	13	37	10	42				9.5	5.5	Flathead Screw 6-12	4	HNTT8-6	4				

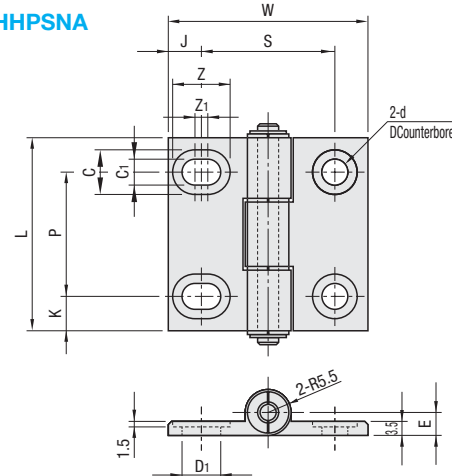
*The allowable load is the value when 2 pieces are used.

Aluminum Hinges with Slotted Holes

RoHS



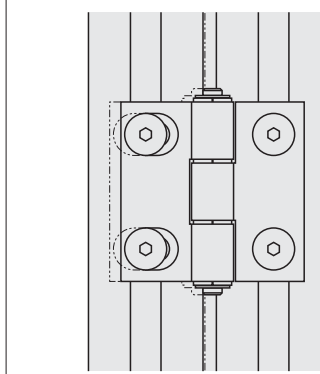
HHPSNA



Material: EN AW-6063/AlMg0,7Si Bushing: Polyacetal
Surface Treatment: Clear Anodize



Example



Slotted mounting holes make it possible to adjust right and left positions.

When the Hinges are mounted to the panels, etc., use the recommended Hinge Nuts on P.725

Part Number	*Allowable Load		Mass g	L	W	K	P	J	S	d Through	D Counter-bore	D1	C	C1	Z	Z1	E	Screws · Nuts			€ Unit Price		Volume Discount	
	Type	No.																kg	N	Screws	Quantity	Nuts	Quantity	Qty. 1-8
HHPSNA	5		22	47	36	11	25	7.5	21	5.5	10	7	10	5.5	11.5	1.5	5	CBSA5-6	4	HNTT5-5	4			
	6	10	98	32	48	8.5	30	8	32	6.5	11	9.5	11	6.5	14	3	5.5	CBSA6-8	4	HNTT6-6	4			
	8		47	63	62	13	37	10	42			11.5	16	5	5.5			CBSA6-10	4	HNTT8-6	4			

*The allowable load is the value when 2 pieces are used.

Order Example Part Number HHPSDT6 HHPBSNA6

Alterations Part Number - (SET · SST) HHPSDT6 -

Days to Ship 6 Days P87


Alterations	Code	Spec.	Hinges	No.	Price Adder	
					SET	SST
Applicable Screw Nut Set	SET SST (Stainless Steel)	Applicable screws and nuts come in a set. When specified, stainless steel screw and nut are included. (- When SET is specified, the material of the Flathead Screws is 1.7220/34CrMo4 and their surface treatment is Black Oxide.)	HHPSDT	5	1,80	2,35
				6	1,92	2,90
				8	2,24	3,20
				5	7,12	-
			HHPSNA	6	7,76	-
				8	7,96	-

Aluminum Hinges Long Type - Short Type / Plastic Hinges / Compact Plastic Hinges


CAD Data

Aluminum Hinges RoHS

Short Type



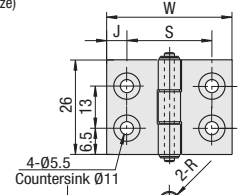
Long Type



Short Type

HHPNSC
(Clear Anodize)

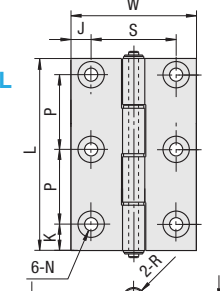
HHPBSNC
(Black Anodize)



Long Type

HHPNSL
(Clear Anodize)

HHPBSL
(Black Anodize)



Material: EN AW-6063/AlMg0,7Si-T5
Bushing: Polyacetal
Surface Treatment: Anodize

Part Number	* Allowable Load	Mass g	W	J	S	T	E	R	Screws - Nuts			Clear Anodize		Black Anodize		
									Screws	Quantity	Nuts	Quantity	€ Unit Price	Volume Discount	€ Unit Price	Volume Discount
HHPNSC	5	19	36	7.5	21	5	5		Flathead Screw 5-8	4	HNTT5-5	4				
HHPBSNC	6	24	48	8	32	3.5			Flathead Screw 5-10		HNTT5-6					
	8	27	62	10	42	5.5	5.5		Flathead Screw 5-12		HNTT5-6					
	8-45	15	147	36	80	16.5	47	4.5	Flathead Screw 5-15							

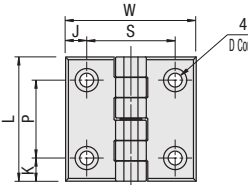
*The allowable load is the value when 2 pieces are used.

Part Number	* Allowable Load	Mass g	L	W	K	P	J	S	Through	Counter-sunk	T	E	R	Screws - Nuts			Clear Anodize		Black Anodize		
														Screws	Quantity	Nuts	Quantity	€ Unit Price	Volume Discount	€ Unit Price	Volume Discount
HHPNSL	5	49	66	36	8	25	7.5	21	5.5	11	5	5		Flathead Screw 5-8	6	HNTT5-5	6				
HHPBSL	6	69	78	48	9	30	8	32	6.5	13	3.5	5.5	5.5	Flathead Screw 6-10		HNTT6-6					
	8	106	113	62	13.5	43	10	42	6.5	13	4.5	5.5	5.5	Flathead Screw 6-12		HNTT8-6					
	8-45	23	220	144	80	16.5	47	4.5						Flathead Screw 6-15							

*The allowable load is the value when 2 pieces are used.

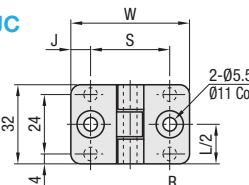
Plastic Hinges RoHS

HHPSJ



Compact Plastic Hinges RoHS

HHPNSJC



Material: Leaf - Nylon 6 / Shaft - 1.4301

Part Number	Color	* Allowable Load	Mass g	L	W	K	P	J	S	D	d	T	E	R	h	Screws - Nuts			€ Unit Price		Volume Discount		
																Screws	Quantity	Nuts	Quantity	Qty. 1-9	10-		
HHPSJ	B (Black)	10	96	21	48	47	9	30	8	32	9.5	5.5	6	6.5	12.6	3.8	CBS5-8	4	HNTT6-5	4			
	W (White)	15	147	35	59	62	11	37	10	42	11	6.6	7.5	8	14.5	4.4	CBS6-12		HNTT8-6				
		845		44	70	80	13.5	43	16.5	47							CBS6-12		HNTT8-6				

*The allowable load is the value when 2 pieces are used. The default color will be black unless specified.

Part Number	* Allowable Load	Mass (g)	W	J	S	E	R	€ Unit Price		Volume Discount	
								Qty. 1-9	10-		
HHPSJC	5	10	98	12.5	36	7.5	21	10	5		
	6	10	98	15.8	48	8	32	11	5.5		
	8	10	98	26.2	62	10	42	11	5.5		

*The allowable load is the value when 2 pieces are used.

Order Example: Part Number **HHPSJ6** - Color **B** - Days to Ship **6 Days** P.87

Alterations Example: Part Number **HHPSJ6** - Color **B** - (SET - SST) - Days to Ship **2 Days**

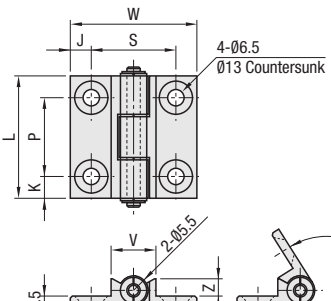
Alterations	Code	Spec.	Hinges	No.	Price Adder	
					SET	SST
Applicable Screw Nut Set	SET SST (Stainless Steel)	Applicable screws and nuts come in a set. When SST is specified, stainless steel screw and nut are included. (- When SET is specified, the material of the Flathead Screws is 1.7220/34CrMo4 and their surface treatment is Black Oxide.)	HHPNSC	5	1,80	2,35
			HHPBSNC	6	1,92	2,90
				8	2,24	3,20
				8-45	2,24	3,20
			HHPNSL	5	2,52	3,25
			HHPBSL	6	2,64	3,92
				8	2,64	3,92
				8-45	3,06	4,02

Stop Hinges / Low Particulate Hinges

CAD Data

Stop Hinges RoHS

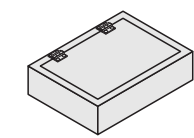
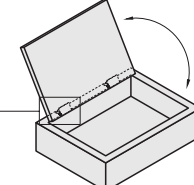
HHPNSH



Material: EN AW-6063/AlMg0,7Si-T5
Bushing: Polyacetal
Surface Treatment: Clear Anodize

Example

The lid of the box stops at a constant level.

When a hinge is positioned within 90°, it automatically falls to be flat.

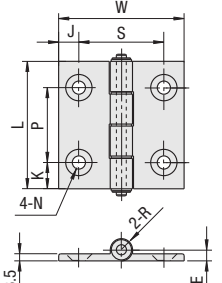
When the Hinges are mounted to the panels, etc., use the recommended Hinge Nuts on P.725

Part Number	A (Angle)	* Allowable Load	Mass g	L	W	K	P	J	S	V	Z	Screws - Nuts			€ Unit Price		Volume Discount				
												Screws	Quantity	Nuts	Quantity	Qty. 1-8	9-				
HHPNSH	6	10	98	37	47	48	8.5	30	8	32	17	6.8	Flathead Screw 6-10	4	HNTT6-6	4					
																	135	36	5.4		
																	150	35	4.2		
	8	10	98	58	63	62	13	37	10	42	21	7.3	Flathead Screw 6-12	4	HNTT8-6	4					
																	135	56	5.8		
																	150	55	4.5		

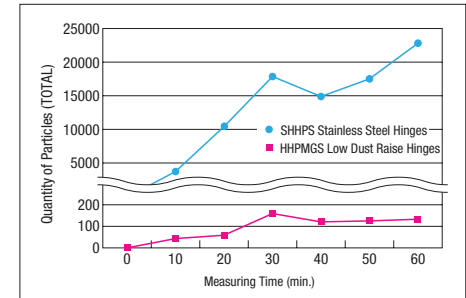
*The allowable load is the value when 2 pieces are used.

Low Particulate Hinges RoHS

HHPMGS



Material: EN AW-6063/AlMg0,7Si-T5
Bushing: Oil Soaked Polyacetal
Surface Treatment: Electroless Nickel Plating



- Features**
- Excels in friction resistance and sliding compared with conventional hinges as the sliding section resin is made from the special material (oil embedded Polyacetal).
 - The aluminum part is electroless nickel plated instead of conventional anodizing providing excellent conductivity, resulting in less static and dust.
 - When the Hinges are mounted to the panels, etc., use the recommended Hinge Nuts on P.725

Part Number	* Allowable Load	Mass g	L	W	K	P	J	S	Through	Counter-sunk	E	R	Screws - Nuts			€ Unit Price		Volume Discount														
													Screws	Quantity	Nuts	Quantity	Qty. 1-8	9-														
HHPMGS	10	98	47	36	11	25	7.5	21	5.5	11	5	5	SHFBSS-8	4	HNTTNS5-5	4																
																	33	48	8.5	30	8	32	6.5	13	5.5	5.5	SHFBSS-10	4	HNTTNS6-6	4		
																	48	63	62	13	37	10									42	SHFBSS-12

*The allowable load is the value when 2 pieces are used.

Order Example: Part Number **HHPMGS6** - (SET - SST) - Days to Ship **6 Days** P.87

Alterations Example: Part Number **HHPMGS6** - (SET - SST)

Alterations	Code	Spec.	Hinges	No.	Price Adder	
					SET	SST
Applicable Screw Nut Set	SET SST (Stainless Steel)	Applicable screws and nuts come in a set. When SST is specified, stainless steel screw and nut are included. (- When SET is specified, the material of the Flathead Screws is 1.7220/34CrMo4 and their surface treatment is Black Oxide.)	HHPNSH	5	1,80	2,35
			HHPMGS	6	1,92	2,90
				8	2,24	3,20



Stainless Steel Hinges / Steel Hinges

CAD Data

Hinges with Slotted Holes/Stainless Steel Hinges for Heavy Loads / Aluminum Detachable Hinges

CAD Data

Stainless Steel Hinges RoHS

SHHPS (Stainless Steel)
SHHPSK (Stainless Steel Satin Finish)
SHHPT (Steel)

When the Hinges are mounted to the panels, etc., use the recommended Hinge Nuts on P.725

Type	Material	Surface Treatment
SHHPS	1.4401/ X5CrNiMo17-12-2	-
SHHPSK	1.4301/ X5CrNi18-10	Satin finish
SHHPT	1.0330/1.0320/ St22 or SPHC	Chrome Plating

Part Number	Holes on One Side	* Allowable Load		Mass g	L	W	K	P	J	S	N	T	E	R	CR	D	SHHPS		SHHPSK							
		kg	N														€ Unit Price	Volume Discount	€ Unit Price	Volume Discount						
SHHPS SHHPSK	5	2	9	88	43	41	36	8	25	7.5	21	5.5	2	4.6	4.6	7.5	5	Qty. 1-8								
		3	11	108	70	66	48	9	30	8	32															
	6	2	12	117	60	48	48	9	30	8	32	6.5						3	5.6	5.6	10	6				
		3	15	147	98	78	62	11	37	10	42												6.1	6.1		
	845	2	3	38	372	230	96	80	13.5	43	16.5	47						6.5	3	5.6	5.6	6	5			
			3	30	294	190	70																	6.1	6.1	
3		40	392	325	113	6.1	6.1																			

Part Number	Holes on One Side	* Allowable Load		Mass g	L	W	K	P	J	S	N	T	E	R	CR	D	SHHPT								
		kg	N														€ Unit Price	Volume Discount							
SHHPT	5	2	9	88	36	41	36	8	25	7.5	21	5.5	2	4.6	4.6	4	5	Qty. 1-8							
		3	11	108	59	66	48	9	30	8	32														
	6	2	12	117	50	48	48	9	30	8	32	6.5						3.2	6.5	5	6				
		3	15	147	83	78	62	11	37	10	42											6.1	6.1		
	845	2	3	25	245	124	59	80	13.5	43	16.5	47						6.5	3	6.5	6.5	5	6		
			3	38	372	207	96																	6.1	6.1
3		30	294	181	70	6.1	6.1																		
	3	40	392	298	113																				

* The allowable load is the value when 2 pieces are used.

Stainless Steel Hinges (Countersunk Type) RoHS

SHHPSD (Countersunk Type)

When the Hinges are mounted to the panels, etc., use the recommended Hinge Nuts on P.725

Material: 1.4301/X5CrNi18-10

Part Number	Holes on One Side	* Allowable Load		Mass g	L	W	K	P	J	S	Through	Countersunk	T	E	R	CR	D	SHHPSD		
		kg	N															€ Unit Price	Volume Discount	
SHHPSD	5	2	9	88	34	41	36	8	25	7.5	21	5.5	8.6 (For M4)	2	4.6	4.6	4	5	Qty. 1-8	
		3	11	108	56	66	48	9	30	8	32									
	6	2	12	117	49	48	48	9	30	8	32	6.5	10.6 (For M5)	3	6.1	6.1	5	6		
		3	15	147	80	78	62	11	37	10	42								6.1	6.1
	845	2	3	25	245	111	59	80	13.5	43	16.5	47	6.5	3	6.1	6.1	5	6		
			3	38	372	185	96												6.1	6.1
3		30	294	162	70	6.1	6.1													
	3	40	392	266	113															

* The allowable load is the value when 2 pieces are used.

Order Example Part Number: SHHPS6 - No. of Holes on One Side: 2

Days to Ship 6 Days P.87

2 Days

Alterations Part Number: SHHPS6 - Holes on One Side: 3 - (SET)

Alteration	Code	Spec.	Hinges	No.	Holes on One Side	Price Adder
Applicable Screw Nut Set	SET	Applicable screws and nuts come in a set. Stainless steel screws and nuts are included.	SHHPS SHHPSK SHHPT SHHPSD	5	2	3,12
				3	4,68	
				6	2	2,84
				3	4,26	
				8	2	3,16
				3	4,74	
845	2	3,16				
	3	4,74				

Hinges with Slotted Holes RoHS

SHPSNA

When the Hinges are mounted to the panels, etc., use the recommended Hinge Nuts on P.725

Material: 1.4301/X5CrNi18-10

Part Number	Holes on One Side	* Allowable Load		Mass (g)	L	W	K	P	J	S	N	Z	T	(E)	(R)	CR	D	SHPSNA		
		kg	N															€ Unit Price	Volume Discount	
SHPSNA	5	2	9	88	34	41	36	8	25	7.5	21	5.5	5.5x6.5	2	4.6	4.6	4	5	1-19	20-
		3	12	117	48	48	9	30	8	32	6.5	6.5x10								
	8	25	245	111	59	62	11	37	10	42	6.5	6.5x10	3	6.1	6.1	5	6			

* The allowable load is the value when 2 pieces are used.

Stainless Steel Hinges for Heavy Loads RoHS

SHHPSZ

When the Hinges are mounted to the panels, etc., use the recommended Hinge Nuts on P.725

Part Number	Holes on One Side	* Allowable Load		Weight (g)	L	W	P	S	C	C1	T	N		Screws - Nuts		€ Unit Price	Volume Discount
		kg	N									Through	Countersunk	Quantity	Nuts		
SHHPSZ	6	2	350	110	47	48	30	32	6	14	5	5.5	11	4	HNTT6-5		
		3	450	190	63	62	37	42	6	14	5	6.5	13	4	HNTT8-6		
	8-45	450	190	63	80	43	47	8	16	6	6.5	13	4	HNTT8-6			

* The allowable load is the value when 2 pieces are used.

Detachable Hinges RoHS

HHPNL (For Left-hand Use)
HHPNR (For Right-hand Use)

When the Hinges are mounted to the panels, etc., use the recommended Hinge Nuts on P.725

Material: EN AW-6063/AlMg0.7Si-T5
 Bushings: Polyacetal
 Surface Treatment: Anodize

Part Number	Holes on One Side	* Allowable Load		Mass g	L	W	K	P	J	S	Through	Countersunk	E	R	Screws - Nuts		€ Unit Price	Volume Discount
		kg	N												Quantity	Nuts		
Detachable Hinges	5	2	22	47	36	11	25	7.5	21	5.5	11	5	5	4	HNTT5-5			
		3	33	48	8.5	30	8	32	6.5	13	5.5	5.5	4	HNTT6-6				
	8	48	63	13	37	10	42	6.5	13	5.5	5.5	4	HNTT8-6					

* The allowable load is the value when 2 pieces are used.

Order Example Part Number: SHHPSZ6 - HHPNL6

Days to Ship 6 Days P.87

Alterations Part Number: SHHPSZ6 - (SET - SST)

Alteration	Code	Spec.	Hinges	No.	Price Adder	
					SET	SST
Applicable Screw Nut Set	SET SST (Stainless Steel)	Applicable screws and nuts come in a set. When SST is specified, stainless steel screw and nut are included. (When - SET is specified, the material of the Flathead Screws is 1.7220/34CrMo4 and their surface treatment is Black Oxide.)	SHPSNA	5	-	3,12
				6	-	2,84
			SHHPSZ	8	-	3,16
				6	1,64	2,70
				8	1,85	3,20
				8-45	1,85	3,20
			HHPNL HHPNR	5	1,80	2,35
				6	1,92	2,90
	8	2,24	3,20			

* When - SET is specified, the product is not RoHS compliant.

Stainless Steel Detachable Hinges / Hinge Nuts

-Easy Detachable Type-

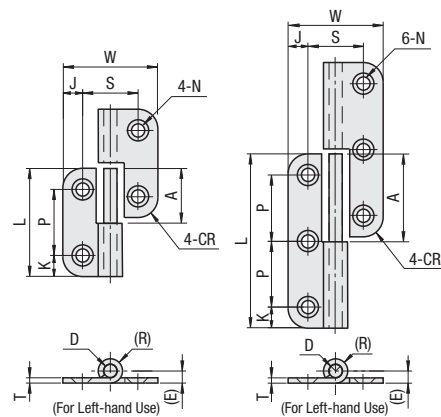
CAD Data

Stainless Steel Detachable Hinges

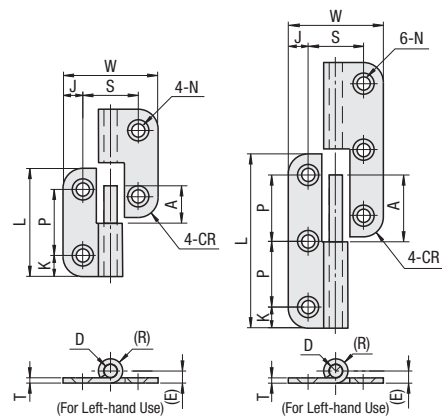


RoHS

SHHPSL (For Left-hand Use) SHHPSR (For Right-hand Use)



SHHPSLC (For Left-hand Use) (Short Pin Type) SHHPSRC (For Right-hand Use) (Short Pin Type)



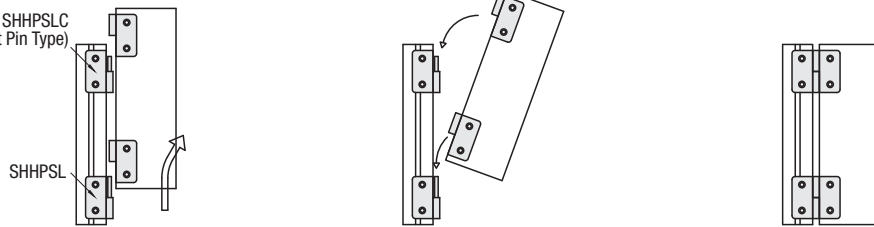
Material: 1.4301/X5CrNi18-10

Part Number Type	No.	* Allowable Load		Mass (g)	L	W	SHHPSL SHHPSR		K	P	J	S	N		T	(E)	(R)	CR	D	Applicable Screw		€ Unit Price	Volume Discount	
		kg	N				Through	Countersunk					Screws	Quantity						Qty. 1-8	9-			
SHHPSL SHHPSLC (For Left-hand Use)	5	2	9	88	34	41	36	19	14	8	25	7.5	21	5.5	8.6 (For M4)	2	4.6	4.6	4	5	SHFBS4-8	4		
	6	3	11	108	55	66	48	22	17	9	30	8	32	6						SHFBS4-10	6			
SHHPSR SHHPSRC (For Right-hand Use)	8	2	25	245	111	59	62	29	24	11	37	10	42	6.5	10.6 (For M5)	3	6.1	6.1	5	6	SHFBS5-12	4		
	845	3	38	372	185	96	80	34	29	13.5	43	16.5	47	4							6			
		2	30	294	162	70																		
		3	40	392	266	113																		

* The allowable load is the value when 2 pieces are used. (R) The applicable screws and nuts can be provided as a set.



Example SHHPSLC (Short Pin Type)



Order Example Part Number - Holes on One Side
SHHPSL5 - 2



6 Days P87
2 Days

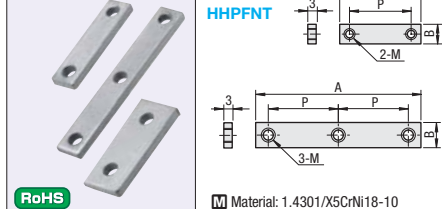


Alterations Part Number - Holes on One Side - (SST)
SHHPSL5 - 2 - (SST)

Alteration	Code	Spec.	Hinges	No.	Holes on One Side	Price Adder
Applicable Screw Nut Set	SST (Stainless Steel)	Applicable screws and nuts come in a set. When SST is specified, stainless steel screw and nut are included. (Ex.) Screw: SHFBS4-8 Nuts: HNTTSN5-4	SHHPSL	5	2	3.12
			SHHPSLC	6	2	2.84
			SHHPSR	8	3	4.26
			SHHPSRC	2	3.16	
			845	2	4.74	
			3	3.16		
			845	3	4.74	

Hinge Nuts

HHPNT HHPFT



Material: 1.4301/X5CrNi18-10



Order Example Part Number - No. of Holes Days to Ship
HHPNT5 - 3 6 Days P87

Part Number Type	No.	No. of Holes	B	A	P	M	€ Unit Price	Volume Discount	Applicable Hinge Nuts for Hinges on Panel	
									Hinges	No. of Holes
HHPNT	5	2	9	34	25	5			HHPNT5-2	5
	6	2	10	40	30				HHPNT6-2	6
	8	2	14	50	35				HHPNT8-2	8
	845	2	12	55	37	6			HHPNT845-2	8-45
		2	11	55	37				HHPNT8-2	8
		3	12	55	37				HHPNT8-2	8
		3	12	55	37				HHPNT8-2	8
		3	12	55	37				HHPNT8-2	8
HHPFT	5	2	14	33	20	5			HHPNT5-2	5
	6	2	16	38	25				HHPNT6-2	6
	8	2	18	48	30				HHPNT8-2	8
	845	2	18	48	30	6			HHPNT845-2	8-45
		2	14	33	20				HHPNT5-2	5
		2	16	38	25				HHPNT6-2	6
		2	18	48	30				HHPNT8-2	8
		2	18	48	30				HHPNT8-2	8

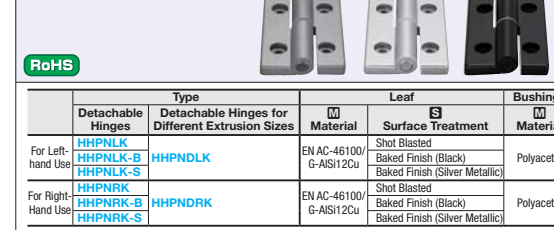
Not applicable to HHPN6, SHPSNA6 and SHHPS26.

Aluminum Detachable Hinges / Flag Hinges / Flag Hinges for Different Extrusion Sizes

CAD Data

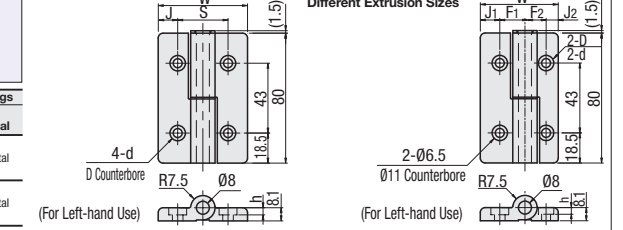
CAD File Name Example:
HHPFLN → hhpfd6
HHPFLN → hhpfd5

Aluminum Detachable Hinges



RoHS

Detachable Hinges



Part Number Type	No.	* Allowable Load		Mass (g)	W	J	S	D	d	h	Screws · Nuts		€ Unit Price	Volume Discount		
		kg	N								Quantity	Quantity			Qty. 1-19	20-
Detachable Hinges for Different Extrusion Sizes	5-25	10	98	86	41	7.5	26	9.5	5.5	4.1	CBS5-8	HNTT5-5 HNTT6-6				
	6			103	55	12	31				CBS6-12	HNTT8-6	4 Pcs.	4 Pcs.		
	8-45	15	147	120	73	16	41	11	6.5	4.4						
				130	83	18.5	46									
Detachable Hinges for Different Extrusion Sizes	6-5	10	98	95	48	12	15.5	7.5	13	7.5	13	CBS5-8 / CBS6-12	HNTT5-5 / HNTT6-6			
	8-5			103	57	16	20.5	9.5	5.5	4.1	7.5	CBS5-8 / CBS6-15	HNTT5-5 / HNTT8-6	2 Pcs. Each	2 Pcs. Each	
	845-5	15	147	108	62	18.5	23				7.5					
	8-6			111	64	16	20.5	11	6.5	4.4	12	15.5	CBS6-12	HNTT6-6 / HNTT8-6	4 Pcs.	
	845-6			116	69	18.5	23				12	15.5				

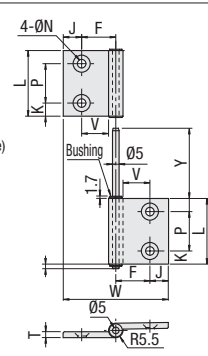
* The allowable load is the value when 2 pieces are used.



RoHS

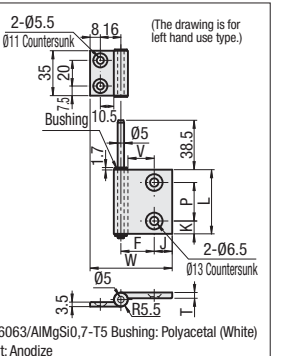
Flag Hinges

HHPFLN (For Left-hand Use) HHPFRN (For Right-hand Use)



Flag Hinges for Different Extrusion Sizes

HHPFDLN (For Left-hand Use) HHPFDRN (For Right-hand Use)



Material: EN AW-6063/AlMgSi0,7-T5 Bushing: Polyacetal (White) Surface Treatment: Anodize

Part Number Type	No.	* Allowable Load		Mass (g)	L	W	K	P	J	F	V	T	Y	Screws · Nuts		€ Unit Price	Volume Discount		
		kg	N											Quantity	Quantity			Qty. 1-8	9-
HHPFLN HHPFRN	5	10	98	36	35	48	7.5	20	8	16	10.5	5.5	11	3.5	38.5	Flathead Screw 5-8	HNTT5-5 HNTT6-6		
	6			46	40	62	7.5	25	10	21	15.5			4	43.5	Flathead Screw 6-10	HNTT8-6	4	
	8-45	15	147	74	50	80	10	30	14	26	20.5	6.6	13	4.5	53.5	Flathead Screw 6-15			
				74	50	80	10	30	11.5	28.5	23								

Part Number Type	No.	* Allowable Load		Mass (g)	W	L	K	P	J	F	V	T	Y	Screws · Nuts		€ Unit Price	Volume Discount	
		kg	N											Quantity	Quantity			Qty. 1-8
HHPFDLN HHPFDRN	6	10	98	42	55	40	7.5	25	10	21	15.5	3.5		2 pcs. for each	Flathead Screw 6-10 / Flathead Screw 5-8	HNTT6-6 / HNTT5-5	2 pcs. for each	
	8			50	10	30	14	26	20.5			4.5			Flathead Screw 6-15 / Flathead Screw 5-8	HNTT8-6 / HNTT5-5		
	8-45	15	147	56	64	50	10	30	11.5	28.5	23							

* The allowable load is the value when 2 pieces are used.



Order Example Part Number Days to Ship
HHPFLN5 HHPFLN5-25 6 Days P87
2 Days



Example of Flag Hinge for Different Extrusion Sizes

When the Hinges are mounted to the panels, etc., use the recommended Hinge Nuts on P725



Alterations Part Number - (SET - SST)
HHPFLN5 - SET

Alteration	Code	Spec.	Hinges	No.	Price Adder	
					SET	SST
Applicable Screw Nut Set	SET SST (Stainless Steel)	Applicable screws and nuts come in a set. When SST is specified, stainless steel screw and nut are included. (Ex.) Screw: CBSST5-8 Nut: HNTT5N6-5 When SET is specified, the material of the Screws is 1.7220/34CrMo4 and their surface treatment is Black Oxide.	HHPNLC	5	2,05	2,15
			HHPNRC	6	2,25	2,35
			HHPNLC	8	2,50	2,60
			HHPNRC	8-45	2,50	2,60
			HHPNLC	6-5	2,15	2,25
			HHPNRC	8-5	2,30	2,40
			HHPNLC	845-5	2,30	2,40
			HHPNRC	8-6	2,40	2,50
			HHPNLC	845-6	2,40	2,50
			HHPNLC	5	1,80	2,00
			HHPNLC	6	1,92	2,10
			HHPNLC	8	2,24	2,70
HHPFDLN	6	1,86	2,20			
HHPFDRN	8	2,02	2,30			

Aluminum Long Hinges

CAD Data



Torque Hinges

-Torque Fixed Type · Torque Adjustable Type-

CAD Data

Aluminum Long Hinges RoHS

HHPV
(For Right and Left Hand Use)

(Figure is for left-hand use type)

Material: EN AW-6063/AlMg0,7Si-T5
 Bushing: Polyacetal
 Surface Treatment: Anodize*

*No anodizing on ends of L dimension specified part.

Part Number	Hinge Frame L	Allowable Load	W	L2	P	K1	K2	J1	J2	F1	F2	V1	V2	N		T	Y	Screws / Nuts (L Dimensions Less than 500mm)				€ Unit Price /m	Flag Hinges / 2 pcs. Countersink at 3 places						
														Through	Counter-sunk			Screws	Qty.	Nuts	Qty.								
HHPV	6-5	100-1000	10	98	55	40	25	7.5	8	10	16	21	10.5	15.5	5.5	11	3.5	43.5	Flathead Screw 6-10	4	HNTT6-6	4							
	6-6				62																								
	8-6				71	50	30	8	10	14	21	26	15.5	20.5					6.5	13	4.5	38.5	Fl. Screw 6-10	3	HNTT6-6	3			
	845-6																								Fl. Screw 6-15	4	HNTT8-6	4	

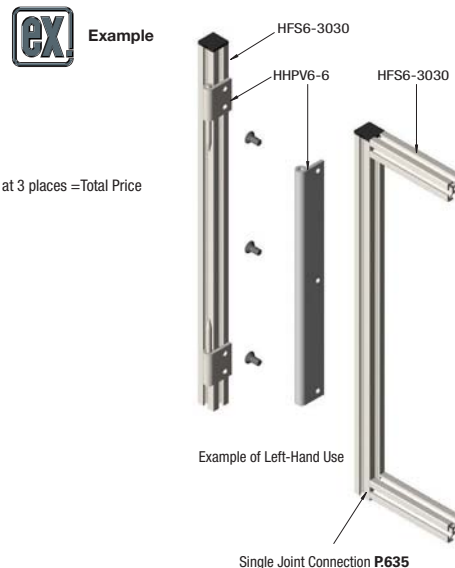
Order Example: Part Number **HHPV6-5** - **L** **200**

Days to Ship: **8 Days**

Price: € Unit Price/m x Length of Hinge Frame + Aluminum Flag Hinges 2 pcs. + Countersink at 3 places = Total Price
 ex: HHPV6-5-200
 21,00 x 0.2m + 15,50 = 19,70 EUR (Round down to ten Cent.)

Alterations: Part Number **HHPV8-6** - **L** - (SET · SST) **250** - **SET**

Alteration	Code	Spec.	Hinges	No.	Price Adder	
					SET	SST
Applicable Screw Nut Set	SET SST (Stainless Steel)	Applicable screws and nuts come in a set. When SST is specified, stainless steel screw and nut are included.	HHPV	6-5	3,25	3,60
				6-6	3,35	3,70
				8-6		
				845-6	3,65	3,80



Torque Fixed Type RoHS

HHPT

Operating Temp. Range: -10°C~50°C
 Operating Humidity Range: 90% RH or less

Cautions on Use

- Use 2 pcs. per door (flap)
- Place the axes of 2 Hinges on a common line.
- Do not use in places where oil or grease contacts, or in the outdoors.
- Do not use for locations requiring frequent open/close.
- For its product properties, the Hinges are not designed for vertical use. Therefore, for allowable loads and the torque values at vertical use, refer to those of the products actually used.

Name of Parts	Material
(1) Wing	1.4301/X5CrNi18-10
(2) Resin Tube	Polyacetal
(3) Shaft	1.4305/X10CrNiS18-9
(4) Plate	1.4301/X5CrNi18-10
(5) Swaging Pin	1.4567/X3CrNiCu18-9-4

For Torque Hinges selection, refer to the Formula of Selection Guide on **P1063**

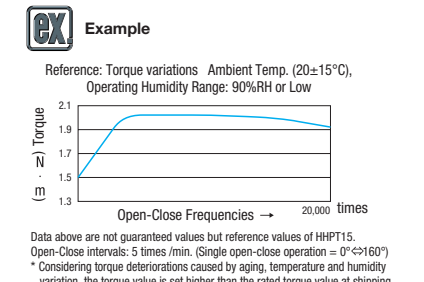
Part Number	* Torque Rating	Mass (g)	L	W	P	J	S	T	E	R	Extrusions (Series)	Screws / Nuts			€ Unit Price	Volume Discount			
												Screws	Qty.	Nuts			Qty.		
HHPT	3	0.35	3.4	15	32	36	18	7.5	21	1.2	4.25	7.5	HFS5	Socket Head Cap Screw 4-6	4	HNTT5-4	4		
	7	0.7	6.9	28	40	48	26	8	32	1.2	4.75	8.5	HFS6	Socket Head Cap Screw 4-10	4	HNTT6-4	4		
	15	1.5	14.7	64	50	48	36	8	32	2	6.5	12							

* The Torque Rating may have tolerance ranges about +40%~-20%.
 * The torque value of 1 pc. of Hinge is shown as the Torque Ratings.

Order Example: Part Number **HHPT15**

Days to Ship: **6 Days** P87

Alteration	Code	Spec.	Hinges	No.	Price Adder
Applicable Screw Nut Set	SET	Applicable screws and nuts come in a set. Stainless steel screws and nuts are included.	HHPT	3	2,15
				7	2,35
				15	2,40



Torque Adjustable Type RoHS

HHPTF HHPTFB

For Torque Hinges selection, refer to the Formula of Selection Guide on **P1063**

Name of Parts	Material	Surface Treatment
Bushings	Polyacetal (White)	-
Socket Head Cap Screw	1.4567/X3CrNiCu18-9-4	-

Part Number	Allowable Load	* Torque Rating	Mass (g)	S	P1	P2	J	Screws / Nuts			Clear Anodize		Black Anodize		
								Screws	Qty.	Nuts	Qty.	€ Unit Price	Vol. Discount	€ Unit Price	Vol. Discount
HHPTF HHPTFB (Black Anodize)	10	98	0~4.9	0~50	54	32	16	16	13.5	Socket Head Cap Screw 6-10	4	HNTT6-6	4		
										Socket Head Cap Screw 6-10	2	HNTT6-6	2		
										Socket Head Cap Screw 6-12	2	HNTT8-6	2		
										Socket Head Cap Screw 6-12	4	HNTT8-6	4		

* The allowable load is the value when 2 pieces are used. ** The torque value of 1 pc. of Hinge is shown as the Torque Rating.

Order Example: Part Number **HHPTF8**

Days to Ship: **6 Days** P87

Alterations	Code	Spec.	Hinges	No.	Price Adder
Applicable Screw Nut Set	SET SST (Stainless Steel)	Applicable screws and nuts come in a set. When SST is specified, stainless steel screw and nut are included. When -SET is specified, the product is not RoHS compliant. (When SET is specified, the material of the Screws is 1.7220/34CrMo4 and their surface treatment is JIS STKM Bright Chromate Plating.)	HHPTF HHPTFB	6	1,80 2,35
				8-6	1,92 2,50
				8	2,24 2,60

