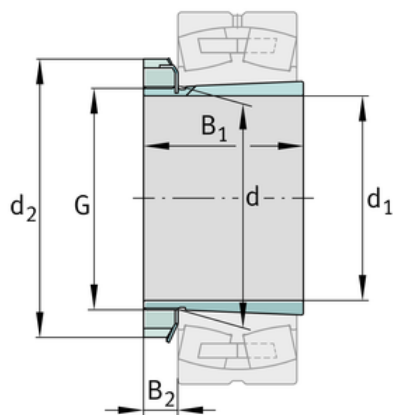
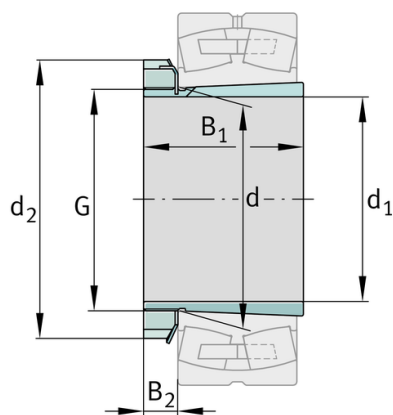
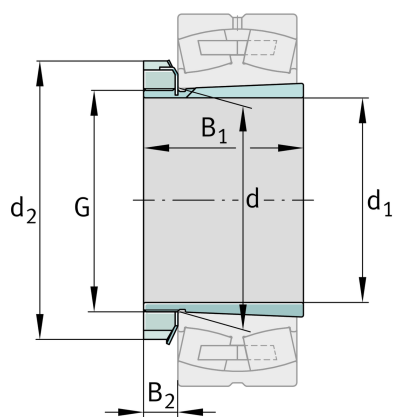
**FAG****H204**

Adapter sleeve

Schaeffler ID:
0167305260000Adapter sleeve H, accessory rolling
bearing, complete, mechanical, FP

Technical information

**Main Dimensions & Performance Data**

d_1	17 mm	bore diameter
G	M20x1	Thread
B_1	24 mm	sleeve length
	0,044 kg	Weight

Dimensions

d	20 mm	Bore diameter bearing
d_2	32 mm	Outside diameter nut
B_2	7 mm	Width nut and lock

Additional information

	KM4	Locknut
	MB4	Fuse
	1:12	Taper

