

FAG

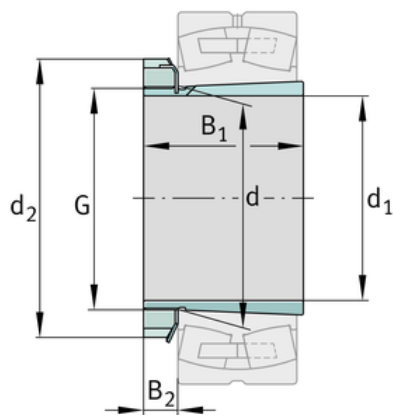
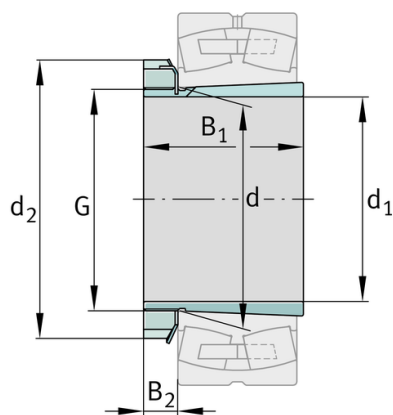
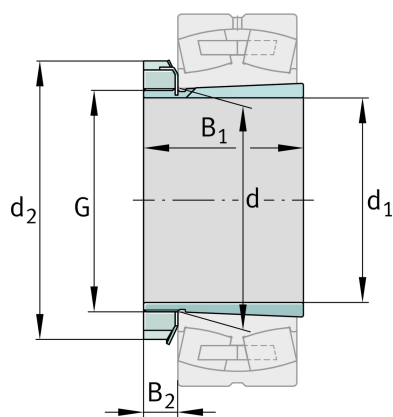
★ H205

Adapter sleeve

Schaeffler ID:
0167305340000Adapter sleeve H, accessory rolling
bearing, complete, mechanical, FP

★ Preferred product

Technical information



Main Dimensions & Performance Data

| | | |
|-------|---------|---------------|
| d_1 | 20 mm | bore diameter |
| G | M25x1,5 | Thread |
| B_1 | 26 mm | sleeve length |
| | 74,19 g | Weight |

Dimensions

| | | |
|-------|---------|-----------------------|
| d | 25 mm | Bore diameter bearing |
| d_2 | 38 mm | Outside diameter nut |
| B_2 | 8,25 mm | Width nut and lock |

Additional information

| | | |
|--|------|---------|
| | KM5 | Locknut |
| | MB5 | Fuse |
| | 1:12 | Taper |

