

FAG

★ **H206**

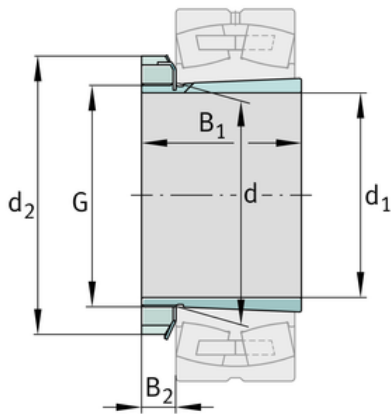
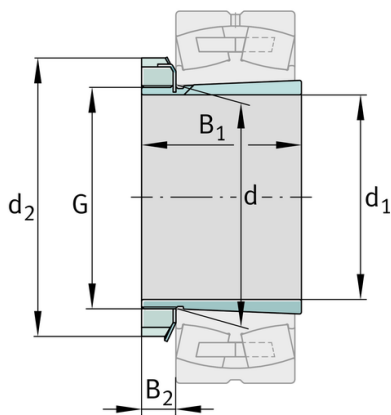
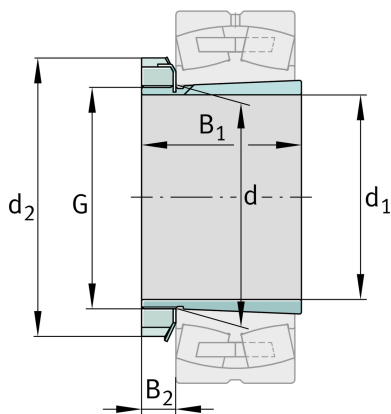
Adapter sleeve

Schaeffler ID:
0167305420000

Adapter sleeve H, accessory rolling bearing, complete, mechanical, FP

★ Preferred product

Technical information



Main Dimensions & Performance Data

| | | |
|-------|----------|---------------|
| d_1 | 25 mm | bore diameter |
| G | M30x1,5 | Thread |
| B_1 | 27 mm | sleeve length |
| | 0,101 kg | Weight |

Dimensions

| | | |
|-------|---------|-----------------------|
| d | 30 mm | Bore diameter bearing |
| d_2 | 45 mm | Outside diameter nut |
| B_2 | 8,25 mm | Width nut and lock |

Additional information

| | | |
|--|------|---------|
| | KM6 | Locknut |
| | MB6 | Fuse |
| | 1:12 | Taper |

