

FAG

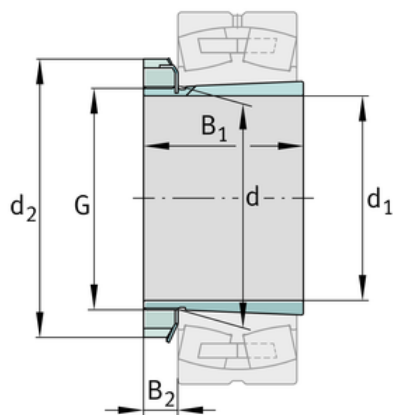
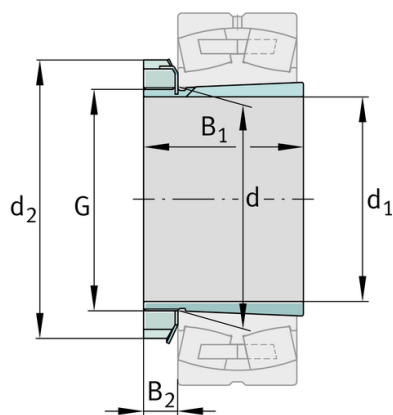
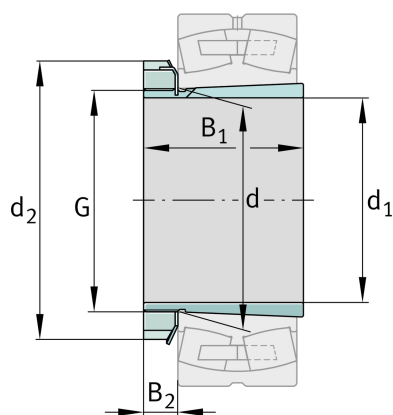
## ★ H215

## Adapter sleeve

Schaeffler ID:  
0167306310000Adapter sleeve H, accessory rolling  
bearing, complete, mechanical, FP

★ Preferred product

## Technical information



## Main Dimensions &amp; Performance Data

|       |          |               |
|-------|----------|---------------|
| $d_1$ | 65 mm    | bore diameter |
| G     | M75x2    | Thread        |
| $B_1$ | 43 mm    | sleeve length |
|       | 0,731 kg | Weight        |

## Dimensions

|       |         |                       |
|-------|---------|-----------------------|
| d     | 75 mm   | Bore diameter bearing |
| $d_2$ | 98 mm   | Outside diameter nut  |
| $B_2$ | 14,5 mm | Width nut and lock    |

## Additional information

|  |      |         |
|--|------|---------|
|  | KM15 | Locknut |
|  | MB15 | Fuse    |
|  | 1:12 | Taper   |

