



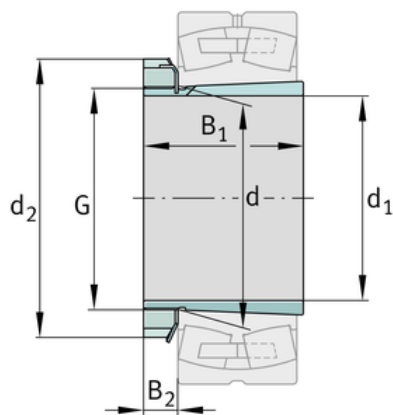
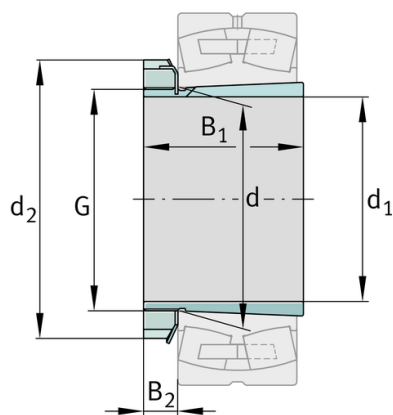
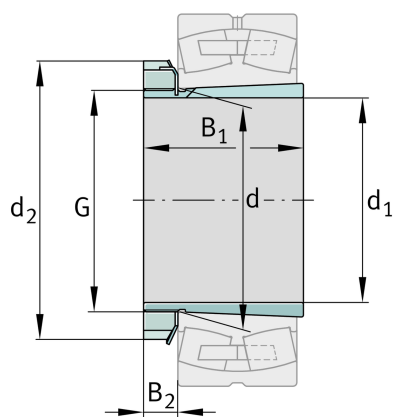
FAG

**H221**

## Adapter sleeve

Schaeffler ID:  
0167306900000Adapter sleeve H, accessory rolling  
bearing, complete, mechanical, FP

## Technical information

**Main Dimensions & Performance Data**

$d_1$	95 mm	bore diameter
G	M105x2	Thread
$B_1$	60 mm	sleeve length
	1,78 kg	Weight

**Dimensions**

d	105 mm	Bore diameter bearing
$d_2$	140 mm	Outside diameter nut
$B_2$	19,75 mm	Width nut and lock

**Additional information**

	KM21	Locknut
	MB21	Fuse
	1:12	Taper

