

FAG

★ **H2305**

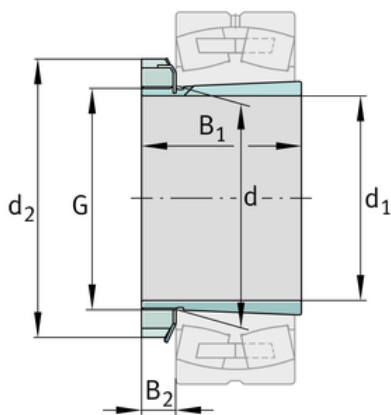
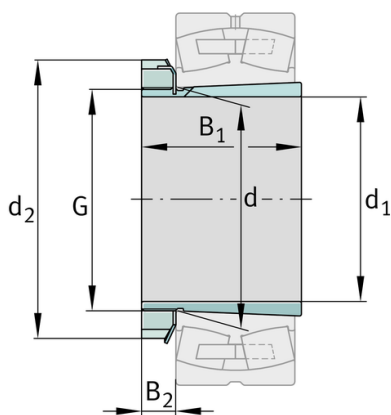
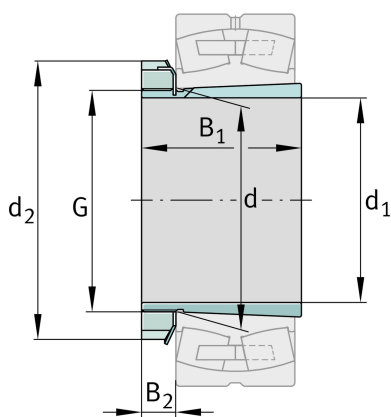
Adapter sleeve

Schaeffler ID:
0191747640000

Adapter sleeve H, accessory rolling bearing, complete, mechanical, FP

★ Preferred product

Technical information



Main Dimensions & Performance Data

d_1	20 mm	bore diameter
G	M25x1,5	Thread
B_1	35 mm	sleeve length
	0,09 kg	Weight

Dimensions

d	25 mm	Bore diameter bearing
d_2	38 mm	Outside diameter nut
B_2	8,25 mm	Width nut and lock

Additional information

	KM5	Locknut
	MB5	Fuse
	1:12	Taper

