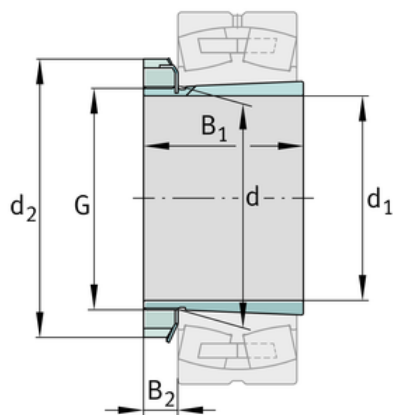
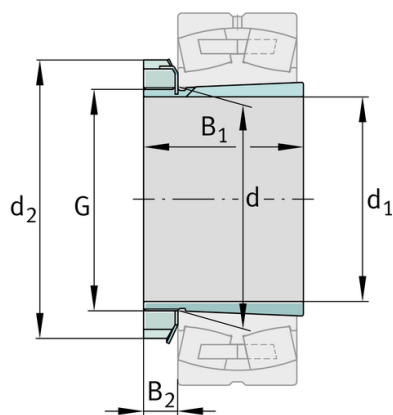
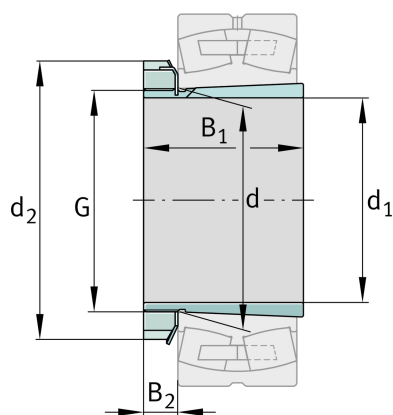
**FAG**★ **H2306**

Adapter sleeve

Schaeffler ID:  
0191747720000Adapter sleeve H, accessory rolling  
bearing, complete, mechanical, FP

★ Preferred product

## Technical information

**Main Dimensions & Performance Data**

$d_1$	25 mm	bore diameter
G	M30x1,5	Thread
$B_1$	38 mm	sleeve length
	0,001 kg	Weight

**Dimensions**

d	30 mm	Bore diameter bearing
$d_2$	45 mm	Outside diameter nut
$B_2$	8,25 mm	Width nut and lock

**Additional information**

	KM6	Locknut
	MB6	Fuse
	1:12	Taper

