



FAG

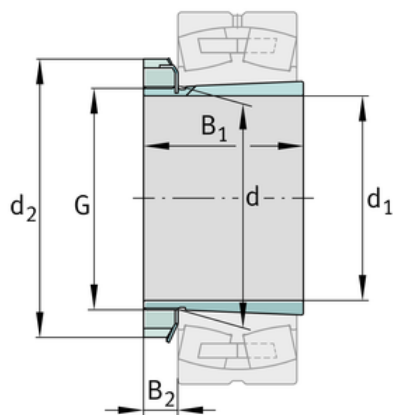
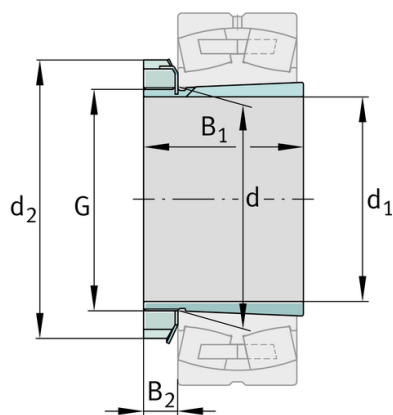
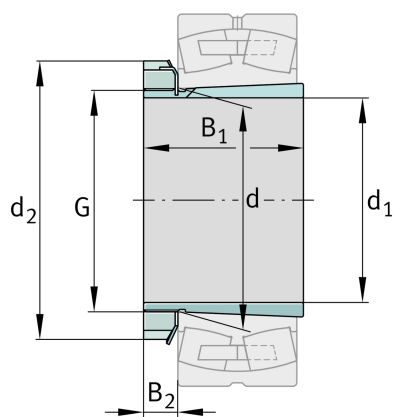
★ H2308

Adapter sleeve

Schaeffler ID:
0167307200000Adapter sleeve H, accessory rolling
bearing, complete, mechanical, FP

★ Preferred product

Technical information



Main Dimensions & Performance Data

d_1	35 mm	bore diameter
G	M40x1,5	Thread
B_1	46 mm	sleeve length
	0,23 kg	Weight

Dimensions

d	40 mm	Bore diameter bearing
d_2	58 mm	Outside diameter nut
B_2	10,25 mm	Width nut and lock

Additional information

	KM8	Locknut
	MB8	Fuse
	1:12	Taper

