



FAG

★ **H2315**

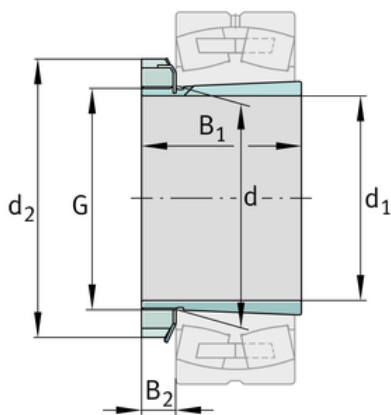
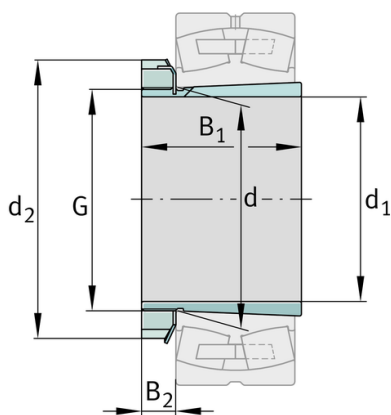
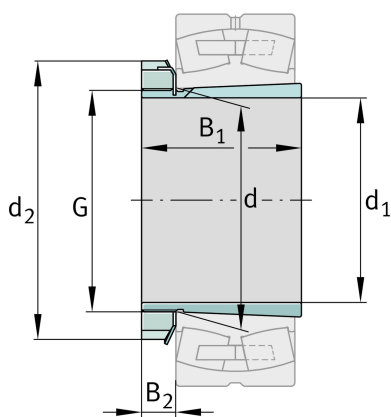
Adapter sleeve

Schaeffler ID:
0167307800000

Adapter sleeve H, accessory rolling bearing, complete, mechanical, FP

★ Preferred product

Technical information



Main Dimensions & Performance Data

d_1	65 mm	bore diameter
G	M75x2	Thread
B_1	73 mm	sleeve length
	1,143 kg	Weight

Dimensions

d	75 mm	Bore diameter bearing
d_2	98 mm	Outside diameter nut
B_2	14,5 mm	Width nut and lock

Additional information

	KM15	Locknut
	MB15	Fuse
	1:12	Taper

