



FAG

★ **H2324**

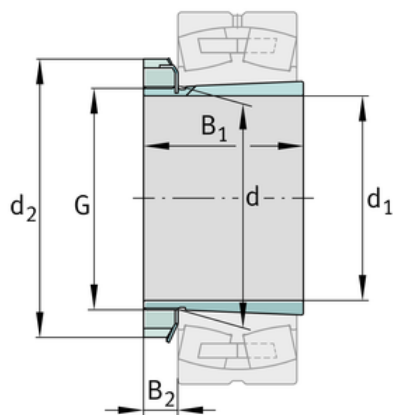
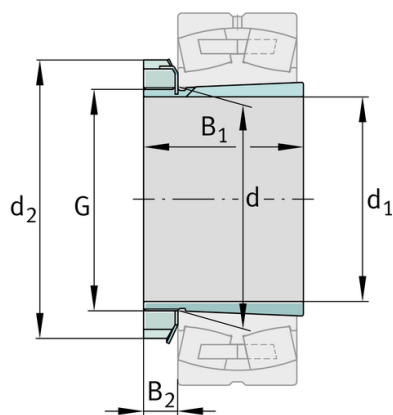
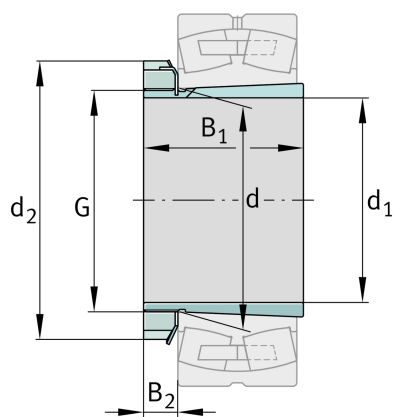
Adapter sleeve

Schaeffler ID:
0167308520000

Adapter sleeve H, accessory rolling bearing, complete, mechanical, FP

★ Preferred product

Technical information



Main Dimensions & Performance Data

d_1	110 mm	bore diameter
G	M120x2	Thread
B_1	112 mm	sleeve length
	3,28 kg	Weight

Dimensions

d	120 mm	Bore diameter bearing
d_2	155 mm	Outside diameter nut
B_2	22 mm	Width nut and lock

Additional information

	KM24	Locknut
	MB24	Fuse
	1:12	Taper

