

FAG

★ **H2328**

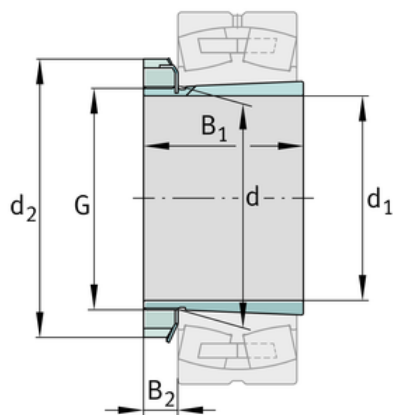
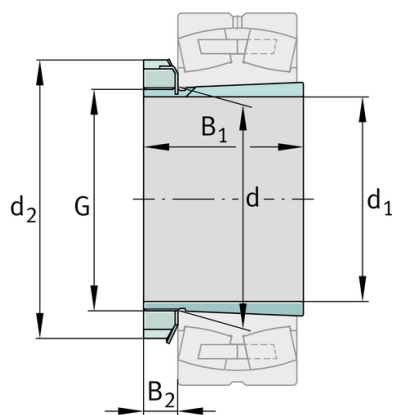
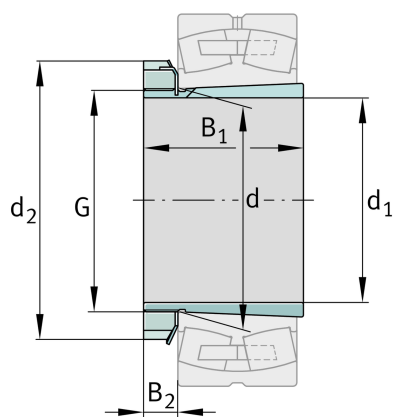
Adapter sleeve

Schaeffler ID:
0167308790000

Adapter sleeve H, accessory rolling bearing, complete, mechanical, FP

★ Preferred product

Technical information



Main Dimensions & Performance Data

| | | |
|-------|----------|---------------|
| d_1 | 125 mm | bore diameter |
| G | M140x2 | Thread |
| B_1 | 131 mm | sleeve length |
| | 5,949 kg | Weight |

Dimensions

| | | |
|-------|--------|-----------------------|
| d | 140 mm | Bore diameter bearing |
| d_2 | 180 mm | Outside diameter nut |
| B_2 | 24 mm | Width nut and lock |

Additional information

| | | |
|--|------|---------|
| | KM28 | Locknut |
| | MB28 | Fuse |
| | 1:12 | Taper |

