

FAG

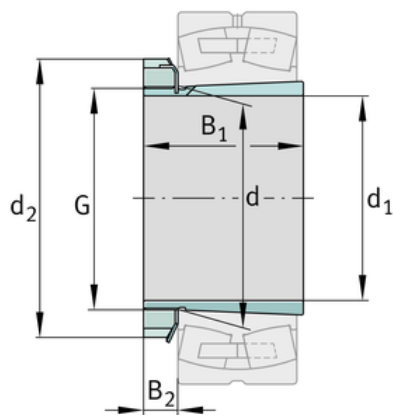
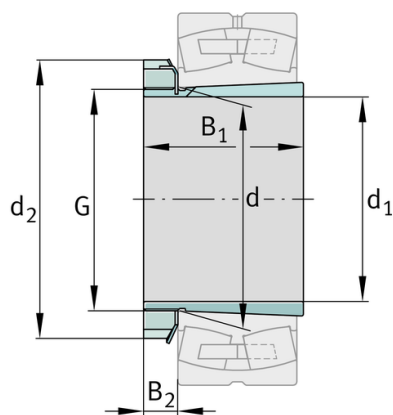
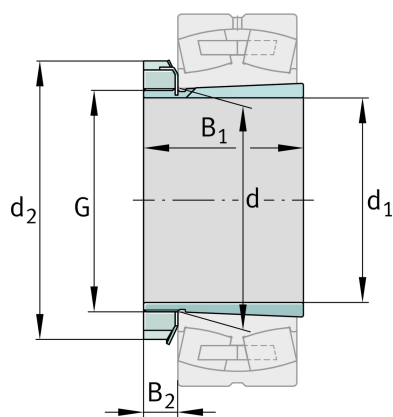
## ★ H2330

## Adapter sleeve

Schaeffler ID:  
0167308870000Adapter sleeve H, accessory rolling  
bearing, complete, mechanical, FP

★ Preferred product

## Technical information



## Main Dimensions &amp; Performance Data

$d_1$	135 mm	bore diameter
G	M150x2	Thread
$B_1$	139 mm	sleeve length
	6,9 kg	Weight

## Dimensions

d	150 mm	Bore diameter bearing
$d_2$	195 mm	Outside diameter nut
$B_2$	26 mm	Width nut and lock

## Additional information

	KM30	Locknut
	MB30	Fuse
	1:12	Taper

