



FAG

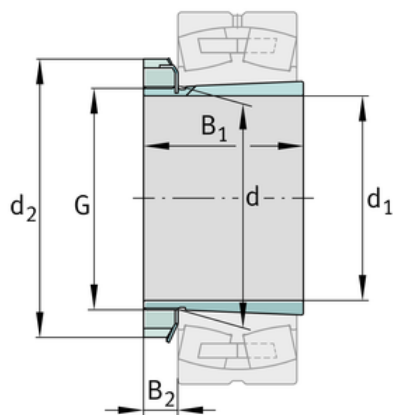
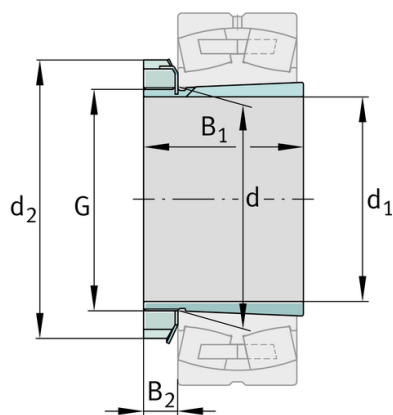
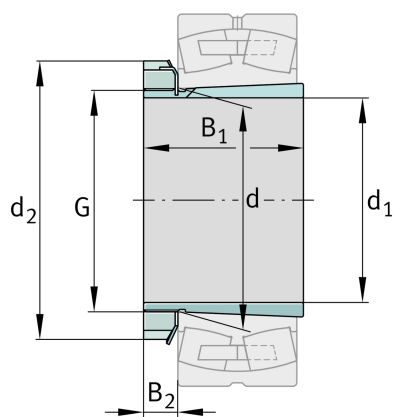
## ★ H2332

## Adapter sleeve

Schaeffler ID:  
0167308950000Adapter sleeve H, accessory rolling  
bearing, complete, mechanical, FP

★ Preferred product

## Technical information



## Main Dimensions &amp; Performance Data

$d_1$	140 mm	bore diameter
G	M160x3	Thread
$B_1$	147 mm	sleeve length
	9,4 kg	Weight

## Dimensions

d	160 mm	Bore diameter bearing
$d_2$	210 mm	Outside diameter nut
$B_2$	27,5 mm	Width nut and lock

## Additional information

	KM32	Locknut
	MB32	Fuse
	1:12	Taper

