

**FAG**

★ **H2336**

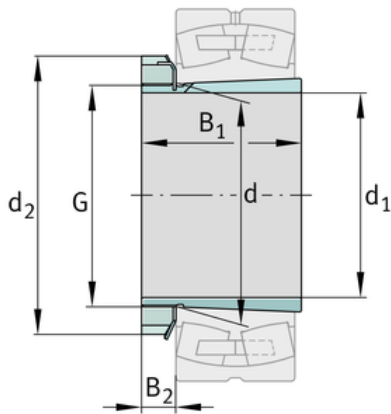
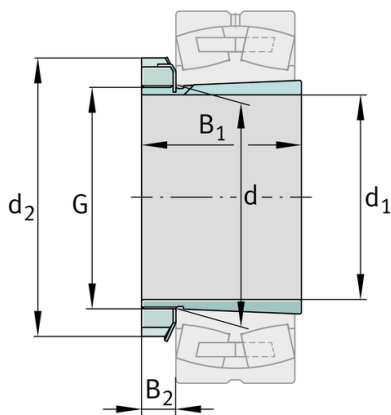
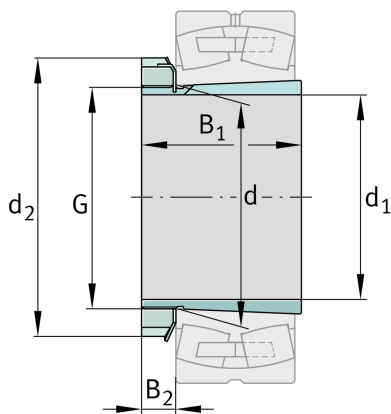
Adapter sleeve

Schaeffler ID:  
0191751590000

Adapter sleeve H, accessory rolling bearing, complete, mechanical, FP

★ Preferred product

Technical information



**Main Dimensions & Performance Data**

$d_1$	160 mm	bore diameter
G	M180x3	Thread
$B_1$	161 mm	sleeve length
	11,767 kg	Weight

**Dimensions**

d	180 mm	Bore diameter bearing
$d_2$	230 mm	Outside diameter nut
$B_2$	29,5 mm	Width nut and lock

**Additional information**

	KM36	Locknut
	MB36	Fuse
	1:12	Taper

