



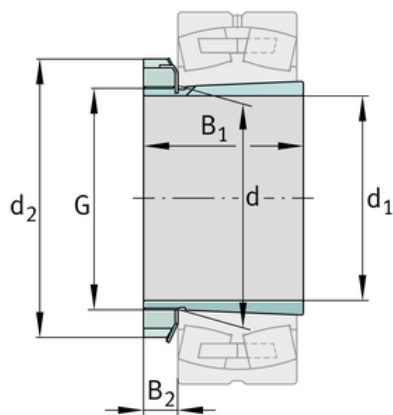
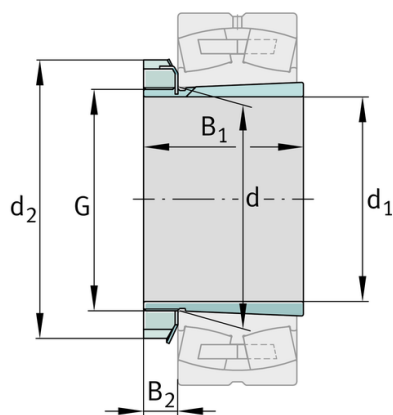
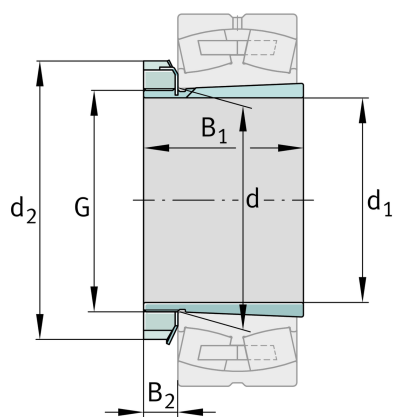
FAG

H2338

Adapter sleeve

Schaeffler ID:
0191751910000Adapter sleeve H, accessory rolling
bearing, complete, mechanical, FP

Technical information

**Main Dimensions & Performance Data**

d_1	170 mm	bore diameter
G	M190x3	Thread
B_1	169 mm	sleeve length
	13,176 kg	Weight

Dimensions

d	190 mm	Bore diameter bearing
d_2	240 mm	Outside diameter nut
B_2	30,5 mm	Width nut and lock

Additional information

	KM38	Locknut
	MB38	Fuse
	1:12	Taper

