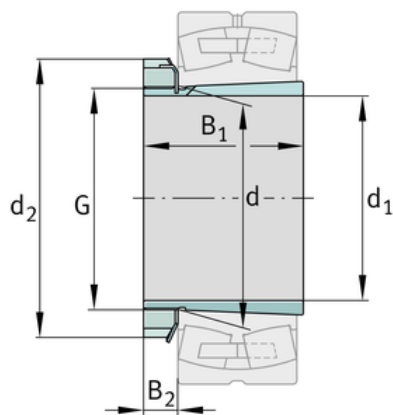
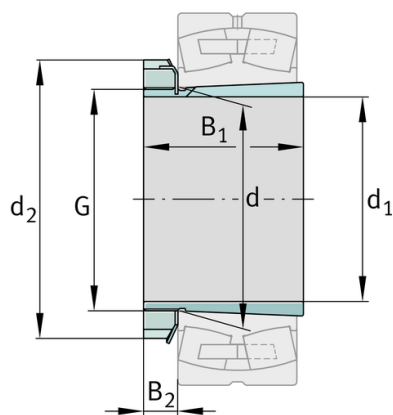
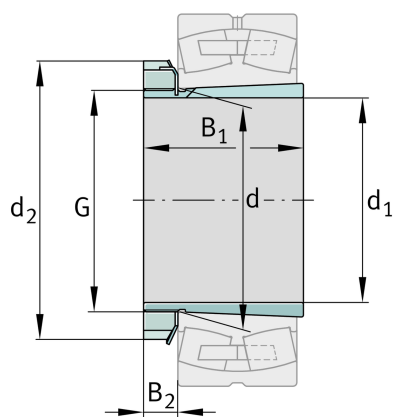


**FAG****H2344X**

## Adapter sleeve

Schaeffler ID:  
0191752800000Adapter sleeve H, accessory rolling  
bearing, complete, mechanical, FP

## Technical information

**Main Dimensions & Performance Data**

$d_1$	200 mm	bore diameter
G	Tr220X4	Thread
$B_1$	186 mm	sleeve length
	18,29 kg	Weight

**Dimensions**

d	220 mm	Bore diameter bearing
$d_2$	280 mm	Outside diameter nut
$B_2$	35 mm	Width nut and lock

**Additional information**

	HM44T	Locknut
	MB44	Fuse
	1:12	Taper

