

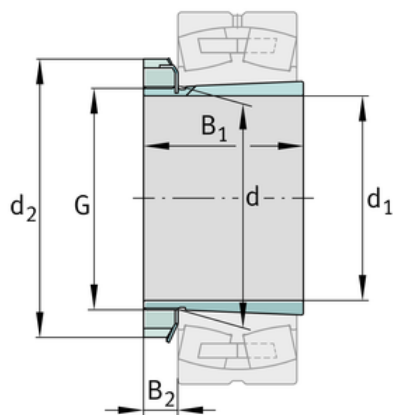
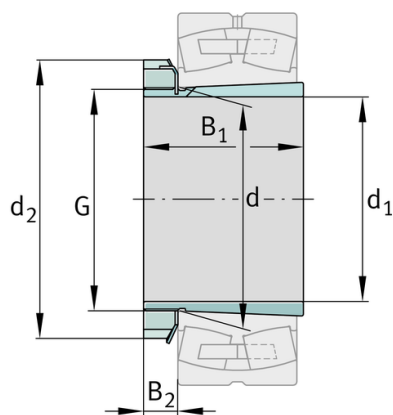
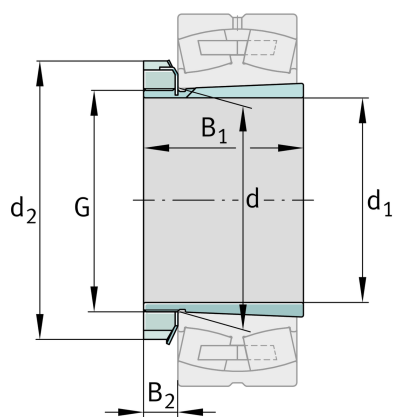
FAG

H2344X-HG

Adapter sleeve

Schaeffler ID:
0191753020000Adapter sleeve H.-HG, accessory rolling
bearing, complete, hydraulic, FP

Technical information

**Main Dimensions & Performance Data**

d_1	200 mm	bore diameter
G	Tr220X4	Thread
B_1	186 mm	sleeve length
	18 kg	Weight

Dimensions

d	220 mm	bore diameter
d_2	280 mm	Outside diameter
B_2	35 mm	Width nut and lock

Mounting dimensions

G_1	M6	Thread oil connector
a	4,2 mm	Distance oil connector
l_{G1}	7 mm	Thread depth oil connector

Additional information

	HM44T	Locknut
	MB44	Fuse
	1:12	Taper

