



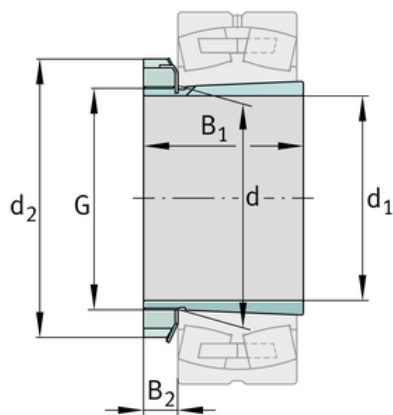
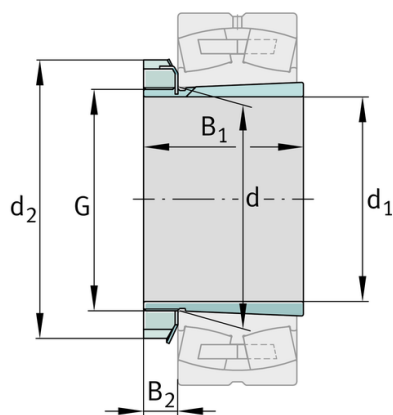
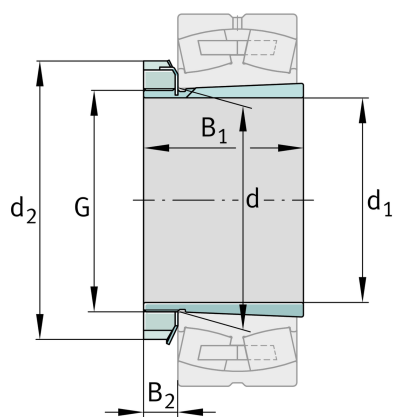
FAG

**H2348X-HG**

Adapter sleeve

Schaeffler ID:  
0191753100000Adapter sleeve H.-HG, accessory rolling  
bearing, complete, hydraulic, FP

## Technical information

**Main Dimensions & Performance Data**

$d_1$	220 mm	bore diameter
G	Tr240X4	Thread
$B_1$	199 mm	sleeve length
	21,2 kg	Weight

**Dimensions**

d	240 mm	bore diameter
$d_2$	300 mm	Outside diameter
$B_2$	37 mm	Width nut and lock

**Mounting dimensions**

$G_1$	M6	Thread oil connector
a	4,2 mm	Distance oil connector
$l_{G1}$	7 mm	Thread depth oil connector

**Additional information**

	HM48T	Locknut
	MB48	Fuse
	1:12	Taper

