



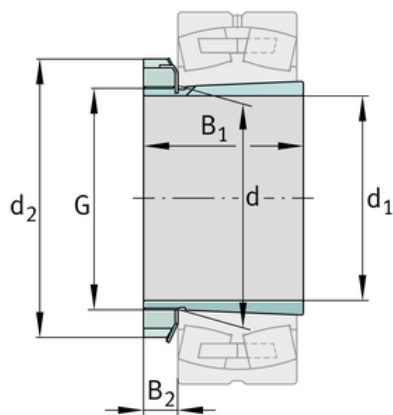
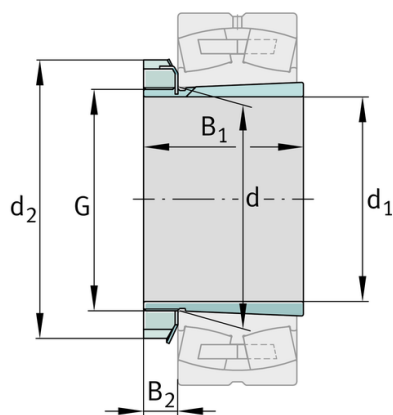
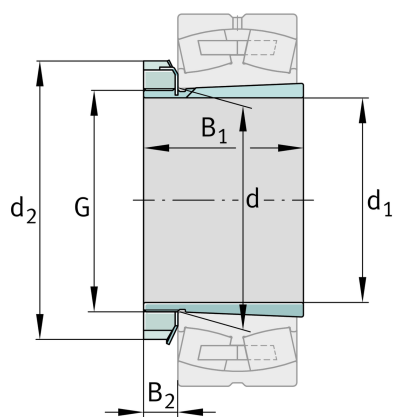
FAG

H2352X-HG

Adapter sleeve

Schaeffler ID:
0191753450000Adapter sleeve H.-HG, accessory rolling
bearing, complete, hydraulic, FP

Technical information

**Main Dimensions & Performance Data**

d_1	240 mm	bore diameter
G	Tr260X4	Thread
B_1	211 mm	sleeve length
	25,8 kg	Weight

Dimensions

d	260 mm	bore diameter
d_2	330 mm	Outside diameter
B_2	38 mm	Width nut and lock

Mounting dimensions

G_1	M6	Thread oil connector
a	4,2 mm	Distance oil connector
l_{G1}	7 mm	Thread depth oil connector

Additional information

	HM52T	Locknut
	MB52	Fuse
	1:12	Taper

