

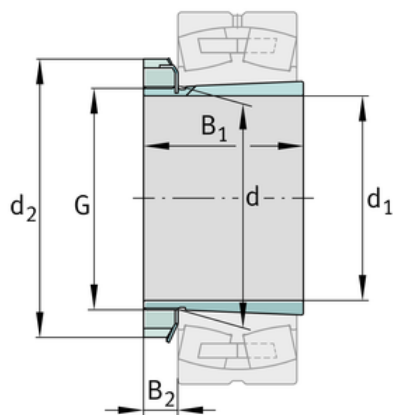
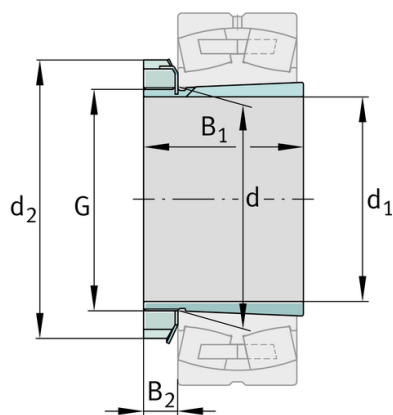
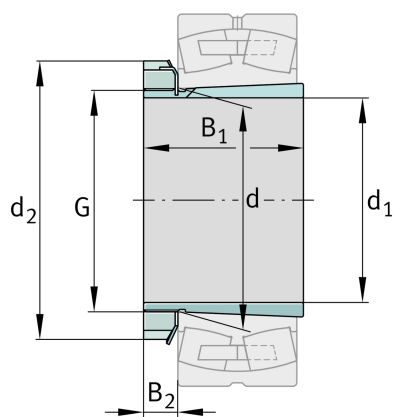
**FAG**★ **H308**

## Adapter sleeve

Schaeffler ID:  
0167310690000Adapter sleeve H, accessory rolling  
bearing, complete, mechanical, FP

★ Preferred product

## Technical information

**Main Dimensions & Performance Data**

$d_1$	35 mm	bore diameter
G	M40x1,5	Thread
$B_1$	36 mm	sleeve length
	0,195 kg	Weight

**Dimensions**

d	40 mm	Bore diameter bearing
$d_2$	58 mm	Outside diameter nut
$B_2$	10,25 mm	Width nut and lock

**Additional information**

	KM8	Locknut
	MB8	Fuse
	1:12	Taper

