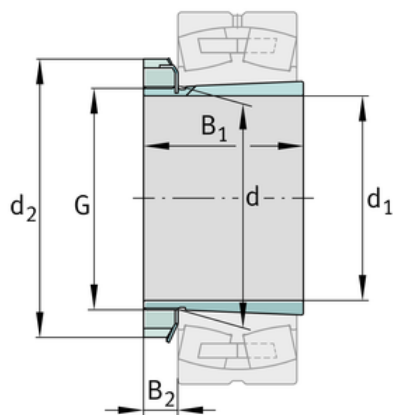
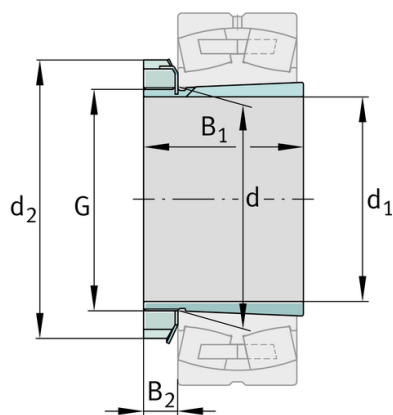
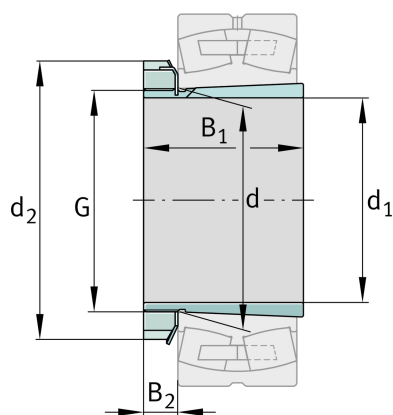
**FAG**★ **H311**

## Adapter sleeve

Schaeffler ID:  
0167310930000Adapter sleeve H, accessory rolling  
bearing, complete, mechanical, FP

★ Preferred product

## Technical information

**Main Dimensions & Performance Data**

$d_1$	50 mm	bore diameter
G	M55x2	Thread
$B_1$	45 mm	sleeve length
	0,004 kg	Weight

**Dimensions**

d	55 mm	Bore diameter bearing
$d_2$	75 mm	Outside diameter nut
$B_2$	12,5 mm	Width nut and lock

**Additional information**

	KM11	Locknut
	MB11	Fuse
	1:12	Taper

