

FAG

★ **H3028**

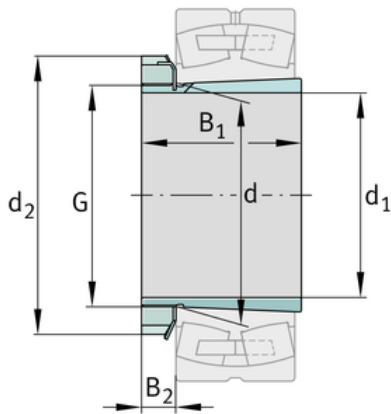
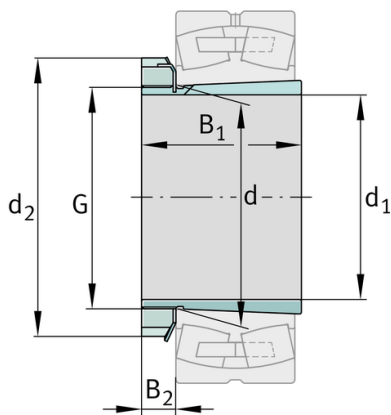
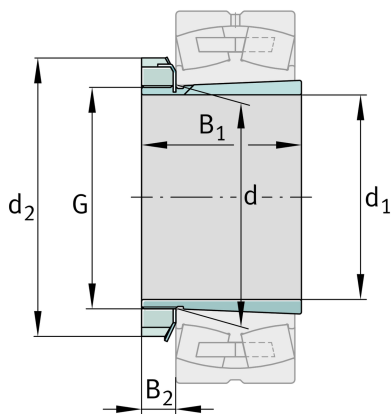
Adapter sleeve

Schaeffler ID:
0167309330000

Adapter sleeve H, accessory rolling bearing, complete, mechanical, FP

★ Preferred product

Technical information



Main Dimensions & Performance Data

d_1	125 mm	bore diameter
G	M140x2	Thread
B_1	82 mm	sleeve length
	3,351 kg	Weight

Dimensions

d	140 mm	Bore diameter bearing
d_2	165 mm	Outside diameter nut
B_2	24 mm	Width nut and lock

Additional information

	KML28	Locknut
	MBL28	Fuse
	1:12	Taper

