

**FAG**

★ **H3032**

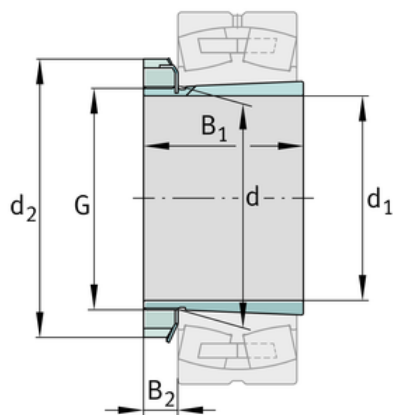
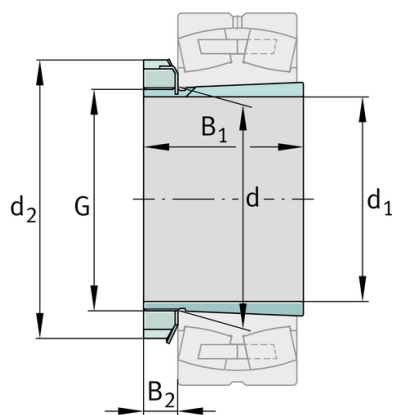
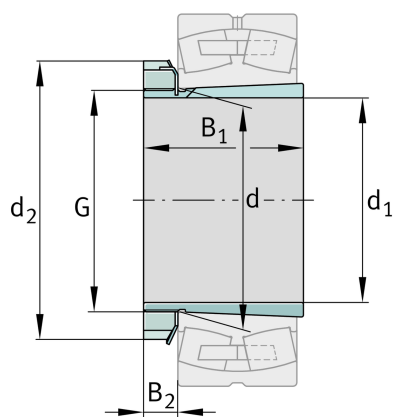
Adapter sleeve

Schaeffler ID:  
0167309500000

Adapter sleeve H, accessory rolling bearing, complete, mechanical, FP

★ Preferred product

Technical information



**Main Dimensions & Performance Data**

$d_1$	140 mm	bore diameter
G	M160x3	Thread
$B_1$	93 mm	sleeve length
	5,5 kg	Weight

**Dimensions**

d	160 mm	Bore diameter bearing
$d_2$	190 mm	Outside diameter nut
$B_2$	27,5 mm	Width nut and lock

**Additional information**

	KML32	Locknut
	MBL32	Fuse
	1:12	Taper

