

FAG

★ **H3034**

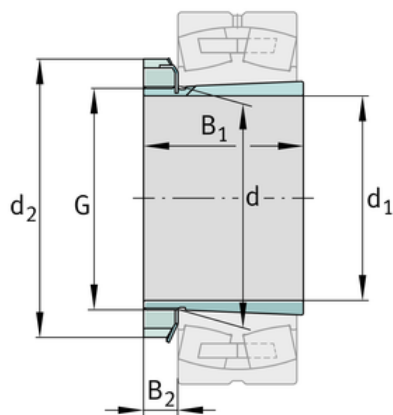
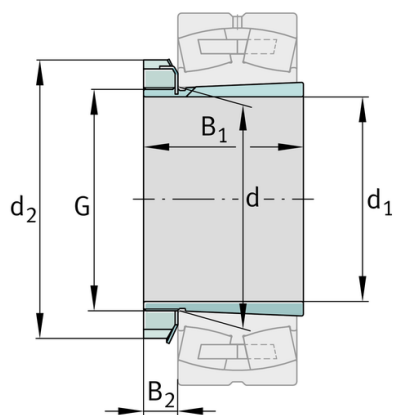
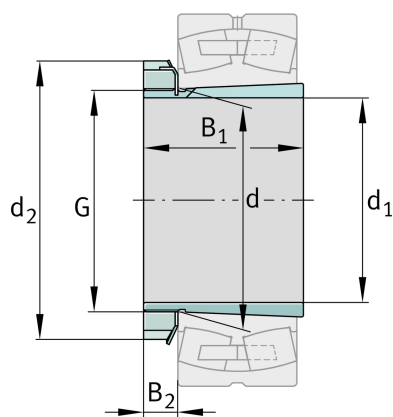
Adapter sleeve

Schaeffler ID:
0167309680000

Adapter sleeve H, accessory rolling bearing, complete, mechanical, FP

★ Preferred product

Technical information



Main Dimensions & Performance Data

d_1	150 mm	bore diameter
G	M170x3	Thread
B_1	101 mm	sleeve length
	6,095 kg	Weight

Dimensions

d	170 mm	Bore diameter bearing
d_2	200 mm	Outside diameter nut
B_2	28,5 mm	Width nut and lock

Additional information

	KML34	Locknut
	MBL34	Fuse
	1:12	Taper

