



FAG

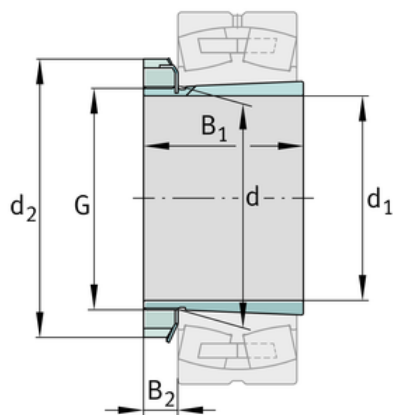
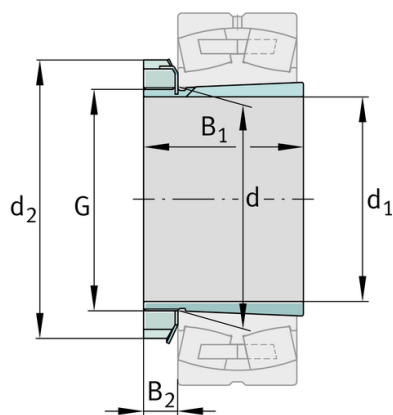
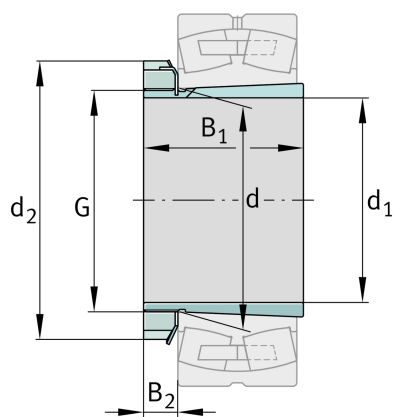
## ★ H3038

## Adapter sleeve

Schaeffler ID:  
0167309840000Adapter sleeve H, accessory rolling  
bearing, complete, mechanical, FP

★ Preferred product

## Technical information



## Main Dimensions &amp; Performance Data

$d_1$	170 mm	bore diameter
G	M190x3	Thread
$B_1$	112 mm	sleeve length
	7,8 kg	Weight

## Dimensions

d	190 mm	Bore diameter bearing
$d_2$	220 mm	Outside diameter nut
$B_2$	30,5 mm	Width nut and lock

## Additional information

	KML38	Locknut
	MBL38	Fuse
	1:12	Taper

