

FAG

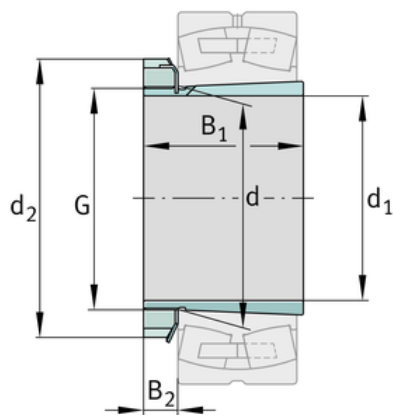
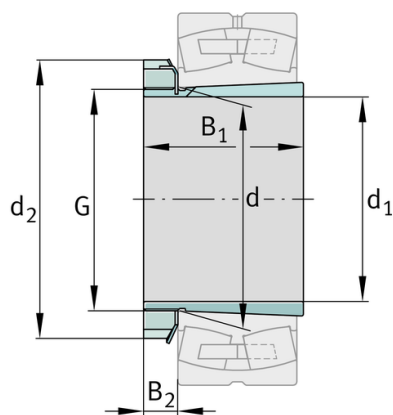
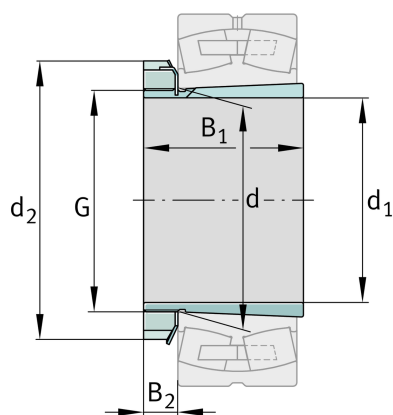
★ H3044X

Adapter sleeve

Schaeffler ID:
0190039780000Adapter sleeve H, accessory rolling
bearing, complete, mechanical, FP

★ Preferred product

Technical information



Main Dimensions & Performance Data

d_1	200 mm	bore diameter
G	Tr220X4	Thread
B_1	126 mm	sleeve length
	10,7 kg	Weight

Dimensions

d	220 mm	Bore diameter bearing
d_2	260 mm	Outside diameter nut
B_2	30 mm	Width nut and lock
B_3	39 mm	Width nut and lock

Additional information

	HM3044	Locknut
	MS3044	Fuse
	1:12	Taper

