

FAG

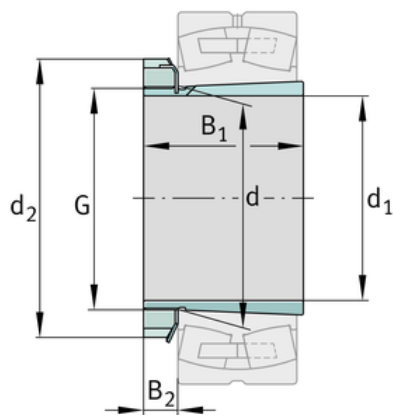
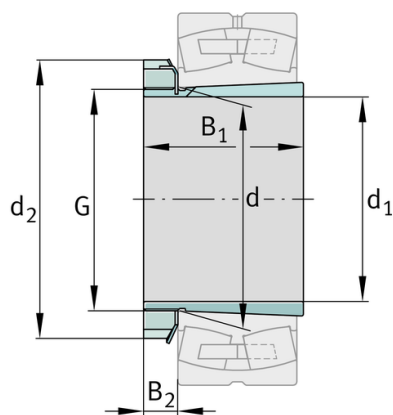
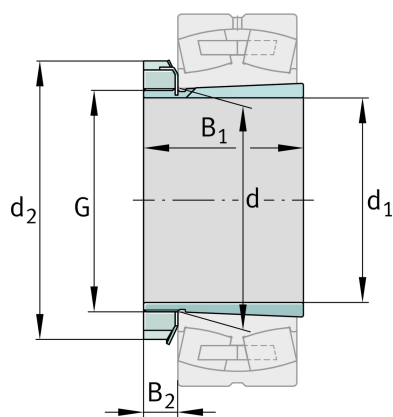
★ H3048

Adapter sleeve

Schaeffler ID:
0167310180000Adapter sleeve H, accessory rolling
bearing, complete, mechanical, FP

★ Preferred product

Technical information



Main Dimensions & Performance Data

d_1	220 mm	bore diameter
G	Tr240X4	Thread
B_1	133 mm	sleeve length
	13,7 kg	Weight

Dimensions

d	240 mm	Bore diameter bearing
d_2	290 mm	Outside diameter nut
B_2	34 mm	Width nut and lock
B_3	45 mm	Width nut and lock

Additional information

	HM3048	Locknut
	MS3048	Fuse
	1:12	Taper

