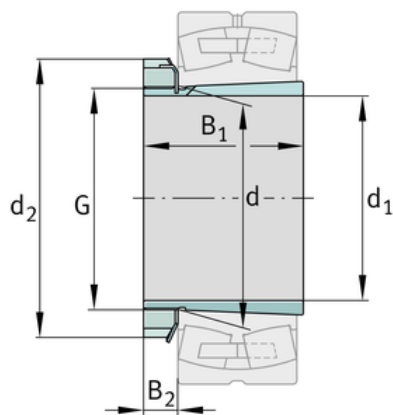
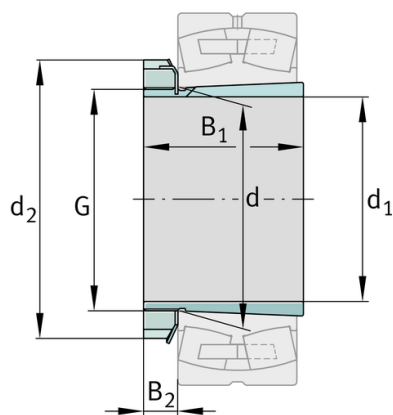
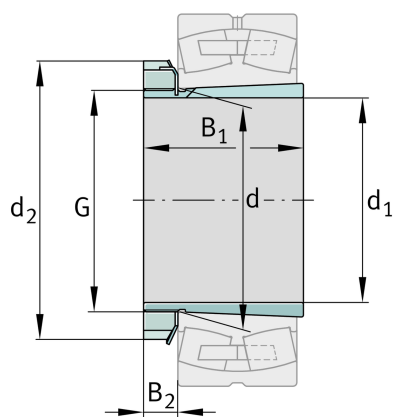


**FAG****H3052X**

Adapter sleeve

Schaeffler ID:
0191758500000Adapter sleeve H, accessory rolling
bearing, complete, mechanical, FP

Technical information

**Main Dimensions & Performance Data**

d_1	240 mm	bore diameter
G	Tr260X4	Thread
B_1	145 mm	sleeve length
	15,904 kg	Weight

Dimensions

d	260 mm	Bore diameter bearing
d_2	310 mm	Outside diameter nut
B_2	34 mm	Width nut and lock
B_3	45 mm	Width nut and lock

Additional information

	HM3052	Locknut
	MS3048	Fuse
	1:12	Taper

