

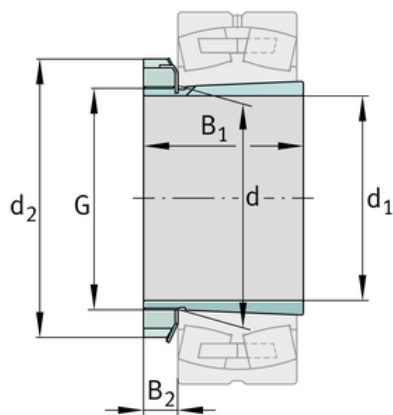
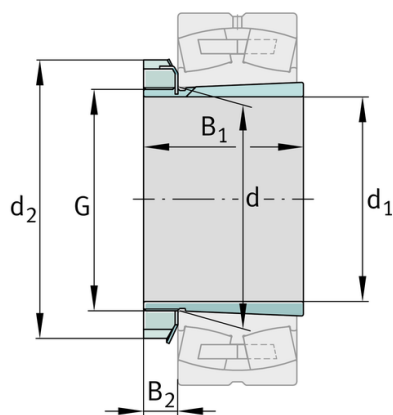
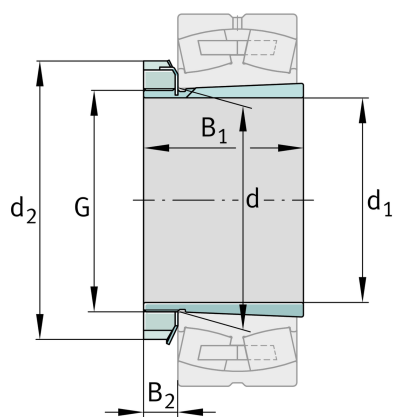
FAG

H3056

Adapter sleeve

Schaeffler ID:
0191758840000Adapter sleeve H, accessory rolling
bearing, complete, mechanical, FP

Technical information

**Main Dimensions & Performance Data**

d_1	260 mm	bore diameter
G	Tr280X4	Thread
B_1	152 mm	sleeve length
	18,5 kg	Weight

Dimensions

d	280 mm	Bore diameter bearing
d_2	330 mm	Outside diameter nut
B_2	38 mm	Width nut and lock
B_3	49 mm	Width nut and lock

Additional information

	HM3056	Locknut
	MS3056	Fuse
	1:12	Taper

