

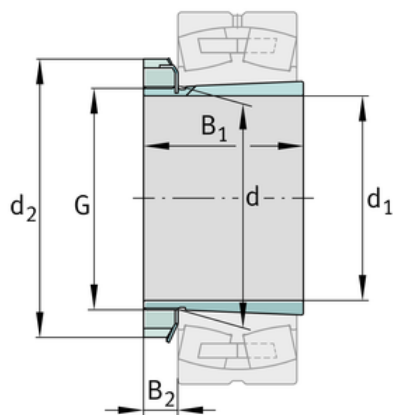
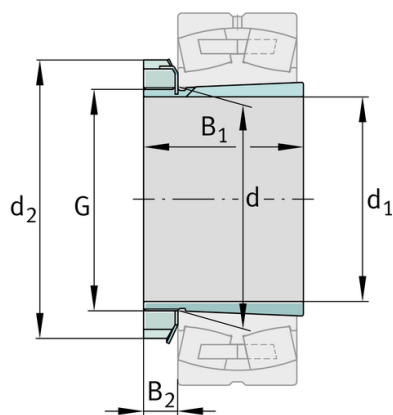
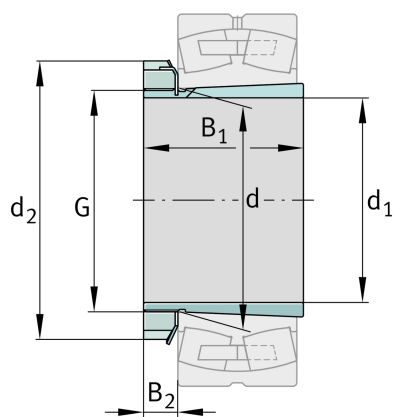
**FAG**★ **H3124**

Adapter sleeve

Schaeffler ID:
0167311230000Adapter sleeve H, accessory rolling
bearing, complete, mechanical, FP

★ Preferred product

Technical information

**Main Dimensions & Performance Data**

d_1	110 mm	bore diameter
G	M120x2	Thread
B_1	88 mm	sleeve length
	2,7 kg	Weight

Dimensions

d	120 mm	Bore diameter bearing
d_2	155 mm	Outside diameter nut
B_2	22 mm	Width nut and lock

Additional information

	KM24	Locknut
	MB24	Fuse
	1:12	Taper

