

**FAG**

★ **H3128**

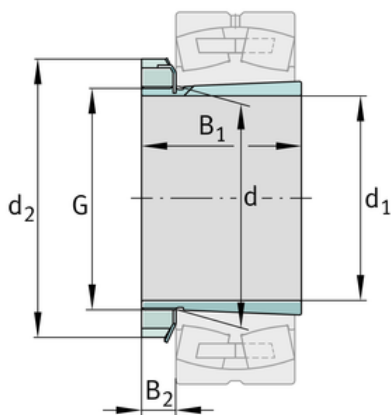
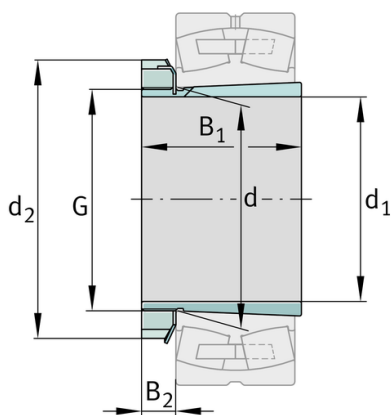
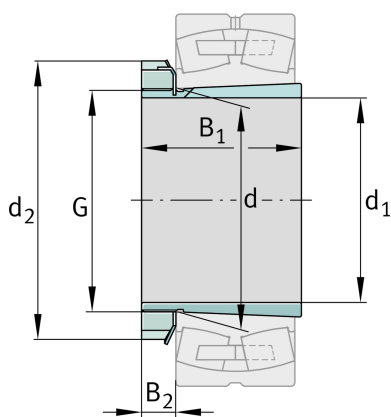
Adapter sleeve

Schaeffler ID:  
0167311580000

Adapter sleeve H, accessory rolling bearing, complete, mechanical, FP

★ Preferred product

Technical information



**Main Dimensions & Performance Data**

$d_1$	125 mm	bore diameter
G	M140x2	Thread
$B_1$	97 mm	sleeve length
	4,46 kg	Weight

**Dimensions**

d	140 mm	Bore diameter bearing
$d_2$	180 mm	Outside diameter nut
$B_2$	24 mm	Width nut and lock

**Additional information**

	KM28	Locknut
	MB28	Fuse
	1:12	Taper

