



FAG

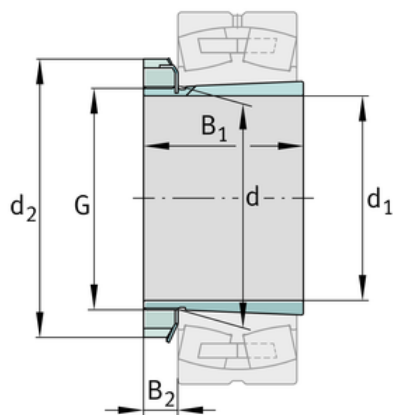
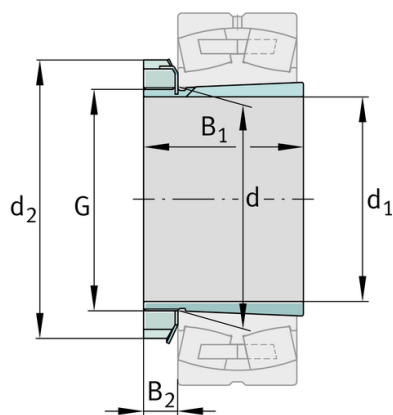
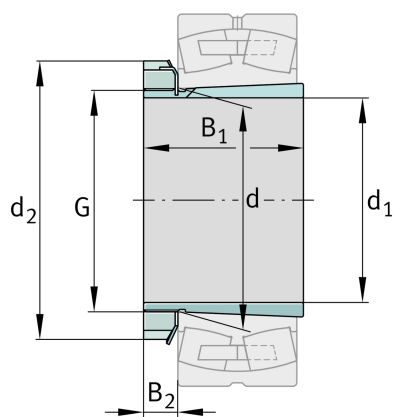
★ H3130

Adapter sleeve

Schaeffler ID:
0167311740000Adapter sleeve H, accessory rolling
bearing, complete, mechanical, FP

★ Preferred product

Technical information



Main Dimensions & Performance Data

d_1	135 mm	bore diameter
G	M150x2	Thread
B_1	111 mm	sleeve length
	5,837 kg	Weight

Dimensions

d	150 mm	Bore diameter bearing
d_2	195 mm	Outside diameter nut
B_2	26 mm	Width nut and lock

Additional information

	KM30	Locknut
	MB30	Fuse
	1:12	Taper

