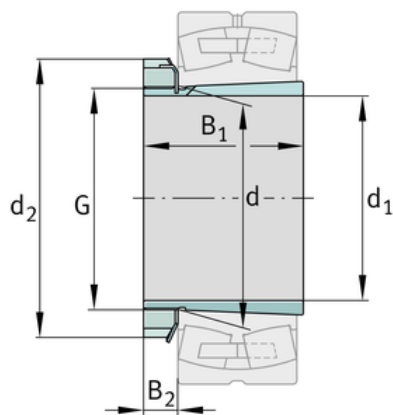
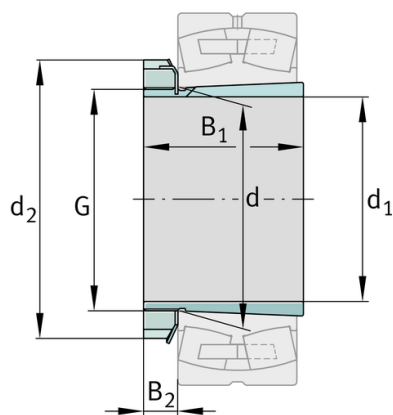
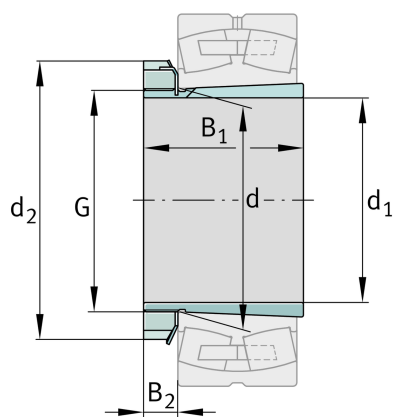
**FAG****H3132-HG**

Adapter sleeve

Schaeffler ID:
0191766350000Adapter sleeve H.-HG, accessory rolling
bearing, complete, hydraulic, FP

Technical information

**Main Dimensions & Performance Data**

d_1	140 mm	bore diameter
G	M160x3	Thread
B_1	119 mm	sleeve length
	7,8 kg	Weight

Dimensions

d	160 mm	bore diameter
d_2	210 mm	Outside diameter
B_2	27,5 mm	Width nut and lock

Mounting dimensions

G_1	M6	Thread oil connector
a	4,2 mm	Distance oil connector
l_{G1}	7 mm	Thread depth oil connector

Additional information

	KM32	Locknut
	MB32	Fuse
	1:12	Taper

