

FAG

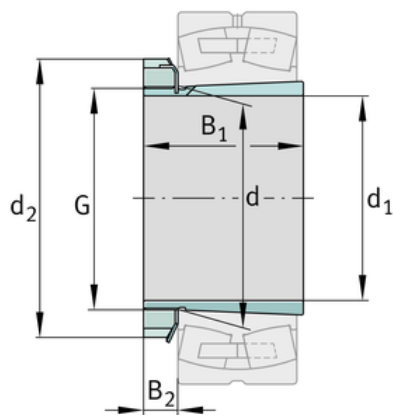
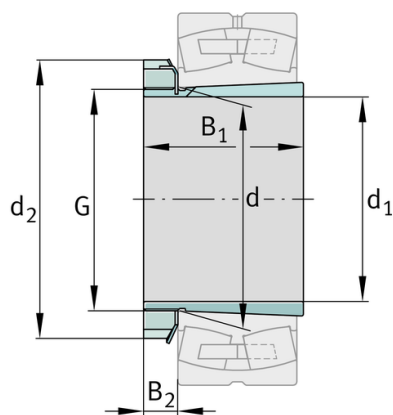
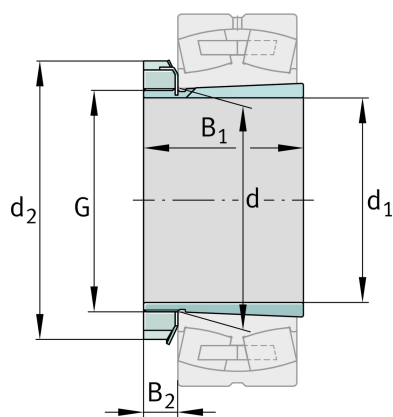
## ★ H3136-HG

Adapter sleeve

Schaeffler ID:  
0191767160000Adapter sleeve H.-HG, accessory rolling  
bearing, complete, hydraulic, FP

★ Preferred product

## Technical information



## Main Dimensions &amp; Performance Data

$d_1$	160 mm	bore diameter
G	M180x3	Thread
$B_1$	131 mm	sleeve length
	9,7 kg	Weight

## Dimensions

d	180 mm	bore diameter
$d_2$	230 mm	Outside diameter
$B_2$	29,5 mm	Width nut and lock

## Mounting dimensions

$G_1$	M6	Thread oil connector
a	4,2 mm	Distance oil connector
$l_{G1}$	7 mm	Thread depth oil connector

## Additional information

	KM36	Locknut
	MB36	Fuse
	1:12	Taper

