



FAG

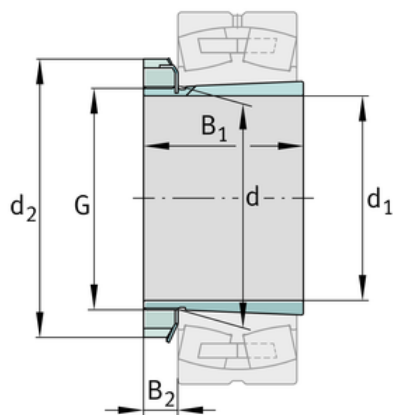
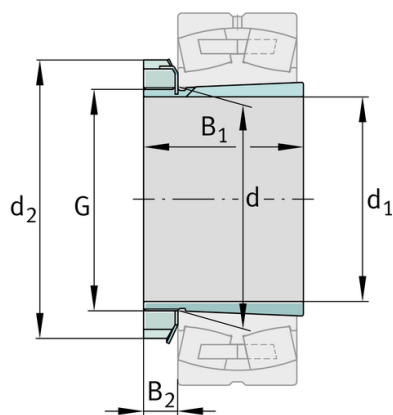
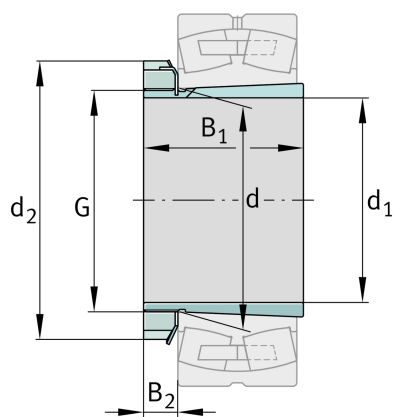
★ H3140-HG

Adapter sleeve

Schaeffler ID:
0191767830000Adapter sleeve H.-HG, accessory rolling
bearing, complete, hydraulic, FP

★ Preferred product

Technical information



Main Dimensions & Performance Data

d_1	180 mm	bore diameter
G	M200x3	Thread
B_1	150 mm	sleeve length
	12,1 kg	Weight

Dimensions

d	200 mm	bore diameter
d_2	250 mm	Outside diameter
B_2	31,5 mm	Width nut and lock

Mounting dimensions

G_1	M6	Thread oil connector
a	4,2 mm	Distance oil connector
l_{G1}	7 mm	Thread depth oil connector

Additional information

	KM40	Locknut
	MB40	Fuse
	1:12	Taper

