

FAG

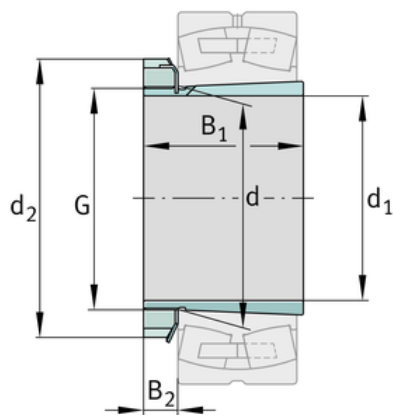
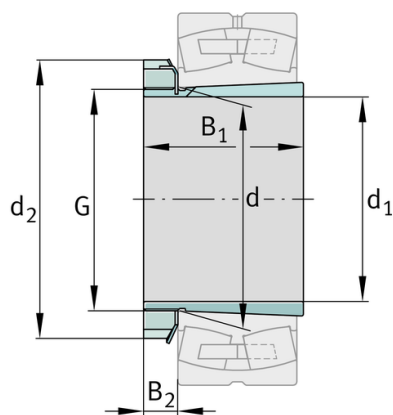
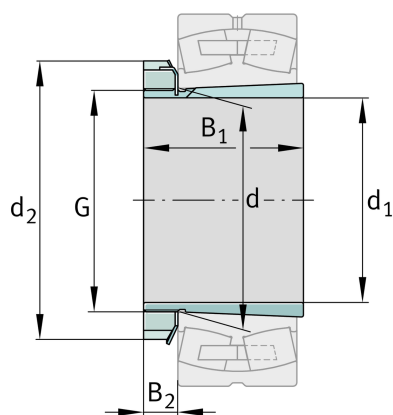
★ H3148X

Adapter sleeve

Schaeffler ID:
0191768480000Adapter sleeve H, accessory rolling
bearing, complete, mechanical, FP

★ Preferred product

Technical information



Main Dimensions & Performance Data

d_1	220 mm	bore diameter
G	Tr240X4	Thread
B_1	172 mm	sleeve length
	18,7 kg	Weight

Dimensions

d	240 mm	Bore diameter bearing
d_2	300 mm	Outside diameter nut
B_2	37 mm	Width nut and lock

Additional information

	HM48T	Locknut
	MB48	Fuse
	1:12	Taper

