



FAG

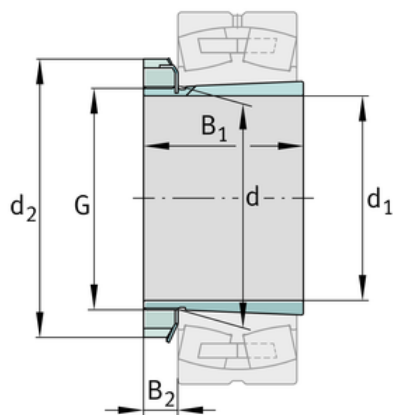
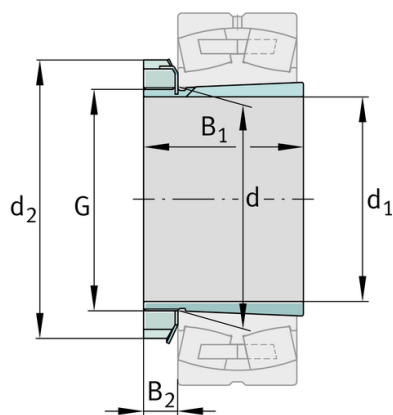
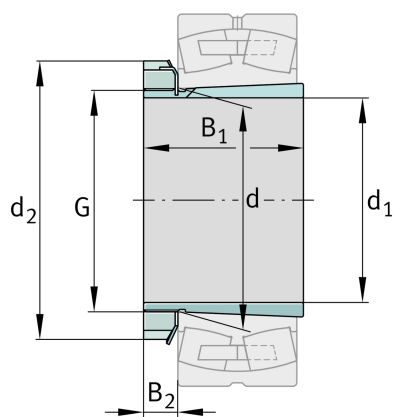
## ★ H3148X-HG

Adapter sleeve

Schaeffler ID:  
0191768640000Adapter sleeve H.-HG, accessory rolling  
bearing, complete, hydraulic, FP

★ Preferred product

## Technical information



## Main Dimensions &amp; Performance Data

$d_1$	220 mm	bore diameter
G	Tr240X4	Thread
$B_1$	172 mm	sleeve length
	18,725 kg	Weight

## Dimensions

d	240 mm	bore diameter
$d_2$	300 mm	Outside diameter
$B_2$	37 mm	Width nut and lock

## Mounting dimensions

$G_1$	M6	Thread oil connector
a	4,2 mm	Distance oil connector
$l_{G1}$	7 mm	Thread depth oil connector

## Additional information

HM48T	Locknut
MB48	Fuse
1:12	Taper

