

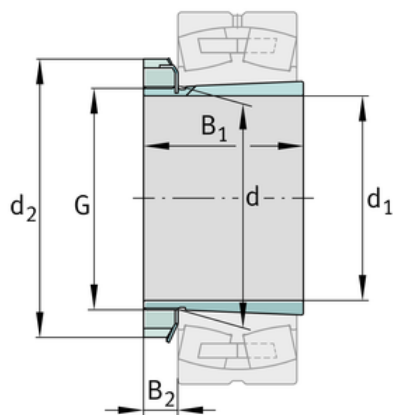
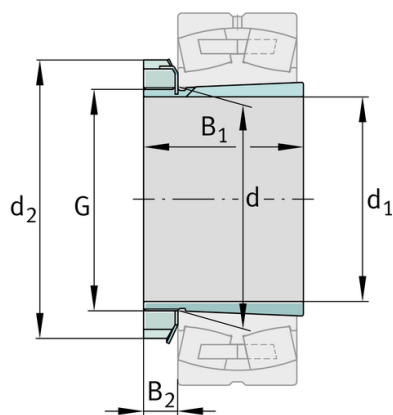
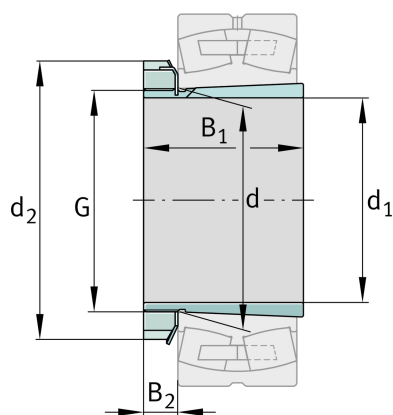
**FAG**★ **H3152X**

Adapter sleeve

Schaeffler ID:
0167312630000Adapter sleeve H, accessory rolling
bearing, complete, mechanical, FP

★ Preferred product

Technical information

**Main Dimensions & Performance Data**

d_1	240 mm	bore diameter
G	Tr260X4	Thread
B_1	190 mm	sleeve length
	24,032 kg	Weight

Dimensions

d	260 mm	Bore diameter bearing
d_2	330 mm	Outside diameter nut
B_2	38 mm	Width nut and lock

Additional information

	HM52T	Locknut
	MB52	Fuse
	1:12	Taper

