

FAG

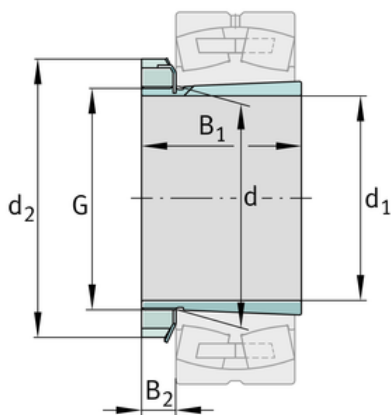
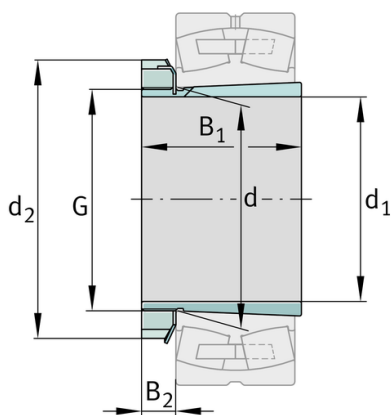
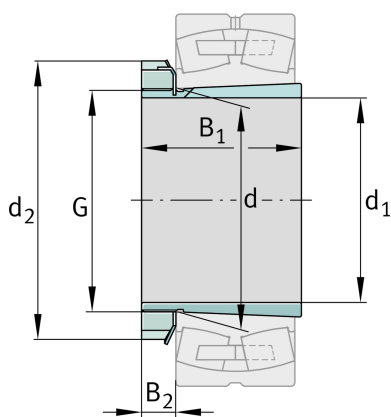
★ H3152X-HG

Adapter sleeve

Schaeffler ID:
0191769020000Adapter sleeve H.-HG, accessory rolling
bearing, complete, hydraulic, FP

★ Preferred product

Technical information



Main Dimensions & Performance Data

d_1	240 mm	bore diameter
G	Tr260X4	Thread
B_1	190 mm	sleeve length
	23,817 kg	Weight

Dimensions

d	260 mm	bore diameter
d_2	330 mm	Outside diameter
B_2	38 mm	Width nut and lock

Mounting dimensions

G_1	M6	Thread oil connector
a	4,2 mm	Distance oil connector
l_{G1}	7 mm	Thread depth oil connector

Additional information

HM52T	Locknut
MB52	Fuse
1:12	Taper

