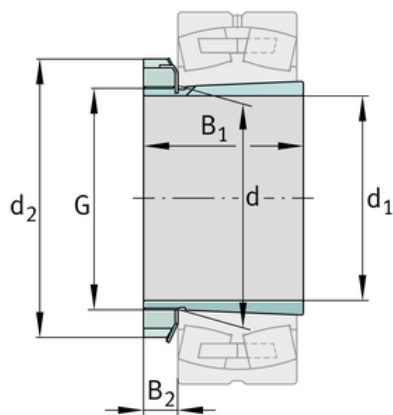
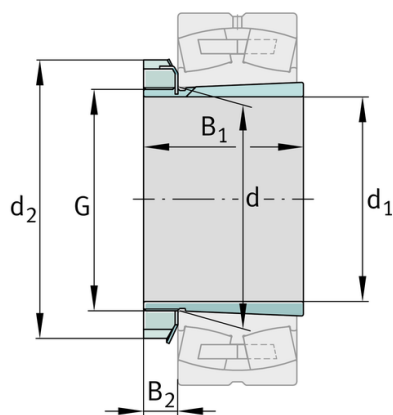
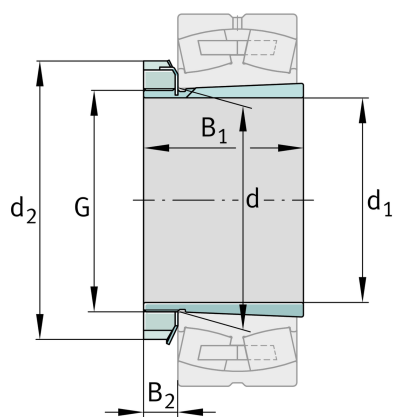


**FAG****H3156X**

Adapter sleeve

Schaeffler ID:
0191769290000Adapter sleeve H, accessory rolling
bearing, complete, mechanical, FP

Technical information

**Main Dimensions & Performance Data**

d_1	260 mm	bore diameter
G	Tr280X4	Thread
B_1	195 mm	sleeve length
	26,3 kg	Weight

Dimensions

d	280 mm	Bore diameter bearing
d_2	350 mm	Outside diameter nut
B_2	39 mm	Width nut and lock

Additional information

	HM56T	Locknut
	MB56	Fuse
	1:12	Taper

