

FAG

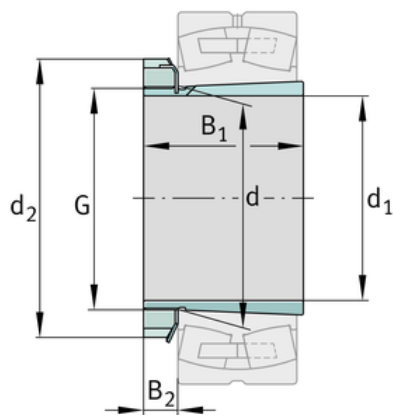
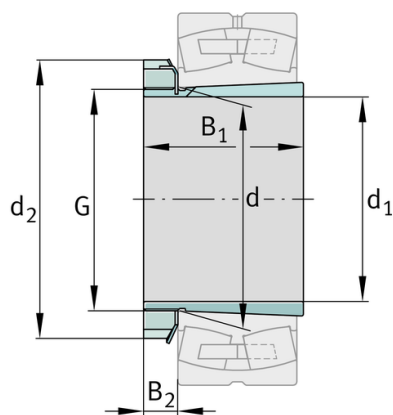
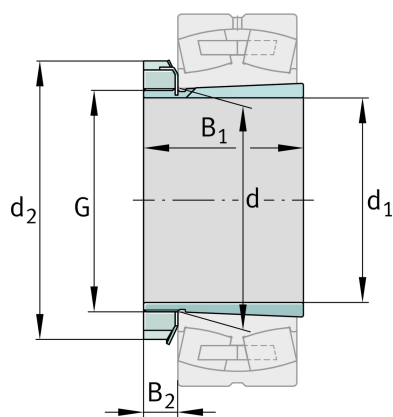
## ★ H3156X-HG

Adapter sleeve

Schaeffler ID:  
0191769450000Adapter sleeve H..-HG, accessory rolling  
bearing, complete, hydraulic, FP

★ Preferred product

## Technical information



## Main Dimensions &amp; Performance Data

$d_1$	260 mm	bore diameter
G	Tr280X4	Thread
$B_1$	195 mm	sleeve length
	26,2 kg	Weight

## Dimensions

d	280 mm	bore diameter
$d_2$	350 mm	Outside diameter
$B_2$	39 mm	Width nut and lock

## Mounting dimensions

$G_1$	M6	Thread oil connector
a	4,2 mm	Distance oil connector
$l_{G1}$	7 mm	Thread depth oil connector

## Additional information

HM56T	Locknut
MB56	Fuse
1:12	Taper

