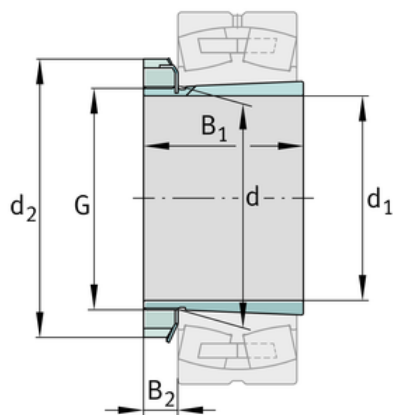
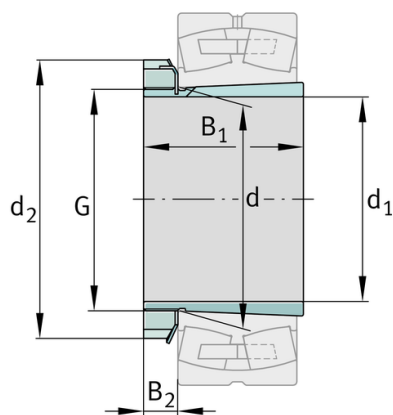
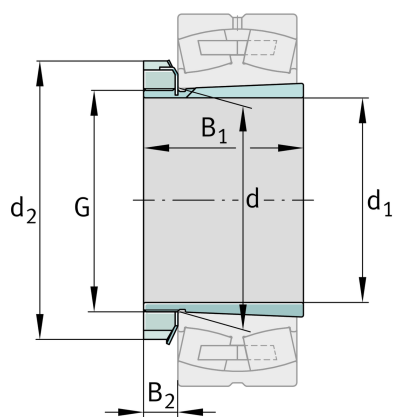
**FAG****H3160**

## Adapter sleeve

Schaeffler ID:  
0191769700000Adapter sleeve H, accessory rolling  
bearing, complete, mechanical, FP

## Technical information

**Main Dimensions & Performance Data**

$d_1$	280 mm	bore diameter
G	Tr300X4	Thread
$B_1$	208 mm	sleeve length
	31,2 kg	Weight

**Dimensions**

d	300 mm	Bore diameter bearing
$d_2$	380 mm	Outside diameter nut
$B_2$	40 mm	Width nut and lock
$B_3$	52 mm	Width nut and lock

**Additional information**

	HM3160	Locknut
	MS3160	Fuse
	1:12	Taper

