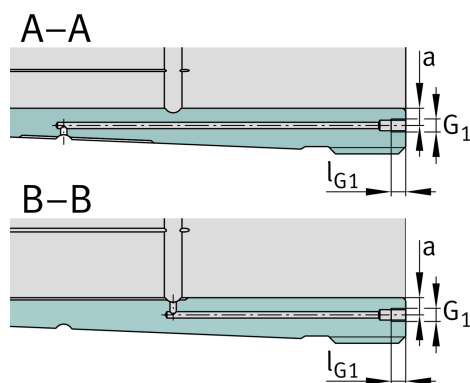
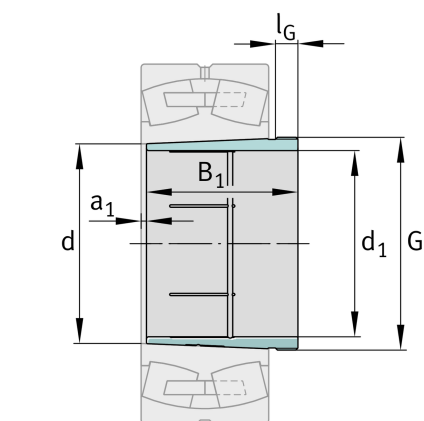




## Technical information



## Main Dimensions & Performance Data

$d_1$	240 mm	bore diameter
G	Tr270X4	Thread
$B_1$	162 mm	sleeve length
	11,7 kg	Weight

## Dimensions

d	260 mm	Bore diameter
$a_1$	16 mm	Bearing overhang
$l_G$	20 mm	Thread length

## Mounting dimensions

$G_1$	M6	Thread oil connector
a	8,5 mm	Distance oil connector
$l_{G1}$	7 mm	Thread depth oil connector

## Additional information

	1:30	Taper
--	------	-------

