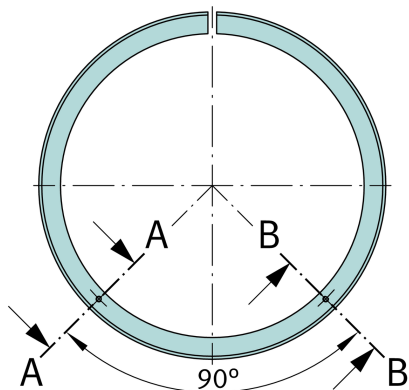
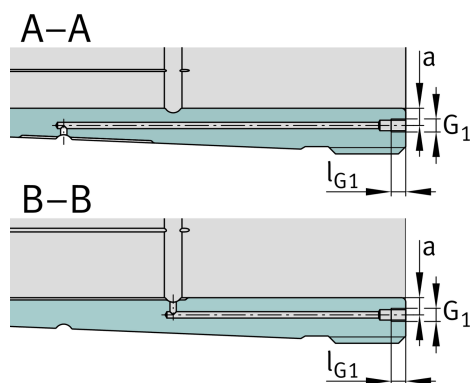
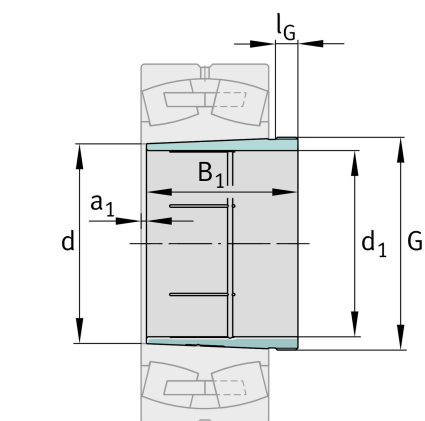




## Technical information



## AH24056-H

### Withdrawal sleeve

Schaeffler ID:  
0191384310000

Withdrawal sleeve AH...-H, accessory  
rolling bearing, hydraulic, finished part

### Main Dimensions & Performance Data

$d_1$	260 mm	bore diameter
G	Tr290X4	Thread
$B_1$	162 mm	sleeve length
	12,7 kg	Weight

### Dimensions

d	280 mm	Bore diameter
$a_1$	17 mm	Bearing overhang
$l_G$	22 mm	Thread length

### Mounting dimensions

$G_1$	M6	Thread oil connector
a	8,5 mm	Distance oil connector
$l_{G1}$	7 mm	Thread depth oil connector

### Additional information

	1:30	Taper
--	------	-------